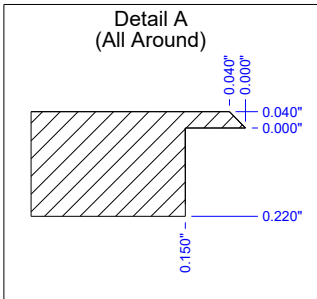
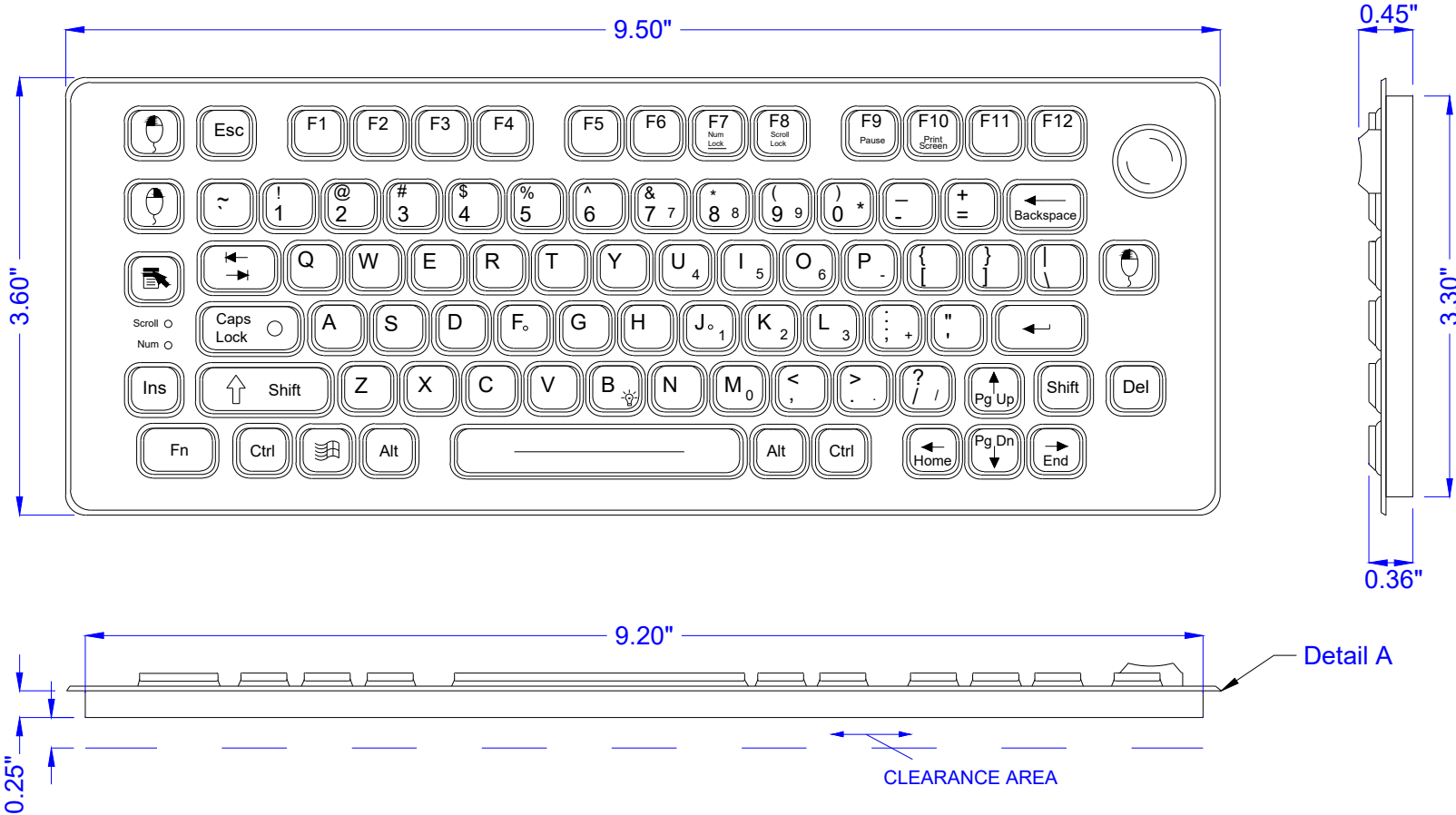


SLK-80-FSR-OEM

DATE	CHANGES	INTL	REV
03.26.18	Original	AH	1.0

NOTES:

- UNIT IS MOUNTED USING RTV ADHESIVE AND #4-40 x 1/4" MOUNTING SCREWS (12 PLACES)
- TALLEST COMPONENT EXTENDS 0.250" BELOW KEYPAD



KEY SWITCH

MATERIAL: Industrial Silicone Rubber
 LIFE: Greater Than 10 Million Cycles
 TRAVEL: 0.055 in.
 ACTUATION FORCE: 8.11 oz. +/- 1.06oz (230g +/- 30g)
 FEEDBACK: Tactile with Mechanical Snap

TEMPERATURE RANGE

STORAGE: -40°F to +158°F (-40°C to +70°C)
 OPERATING: -4°F to +140°F (-20°C to +60°C)

VIBRATION

POWER SPECTRAL DENSITY: .04g/HZ
 FREQUENCY RANGE: 20Hz-2Khz
 DURATION OF TEST PER AXIS: 3 hours

POWER

PS2:
 KEYBOARD: 190mA@5V (from Keyboard port)
 POINTER: 10mA@5V (from Mouse port)
 USB: 200mA@5V (from CPU port)

HUMIDITY

100% Humidity Resistant

SHOCK

3 X 11 ms pulses of 50g on each of 3 axis

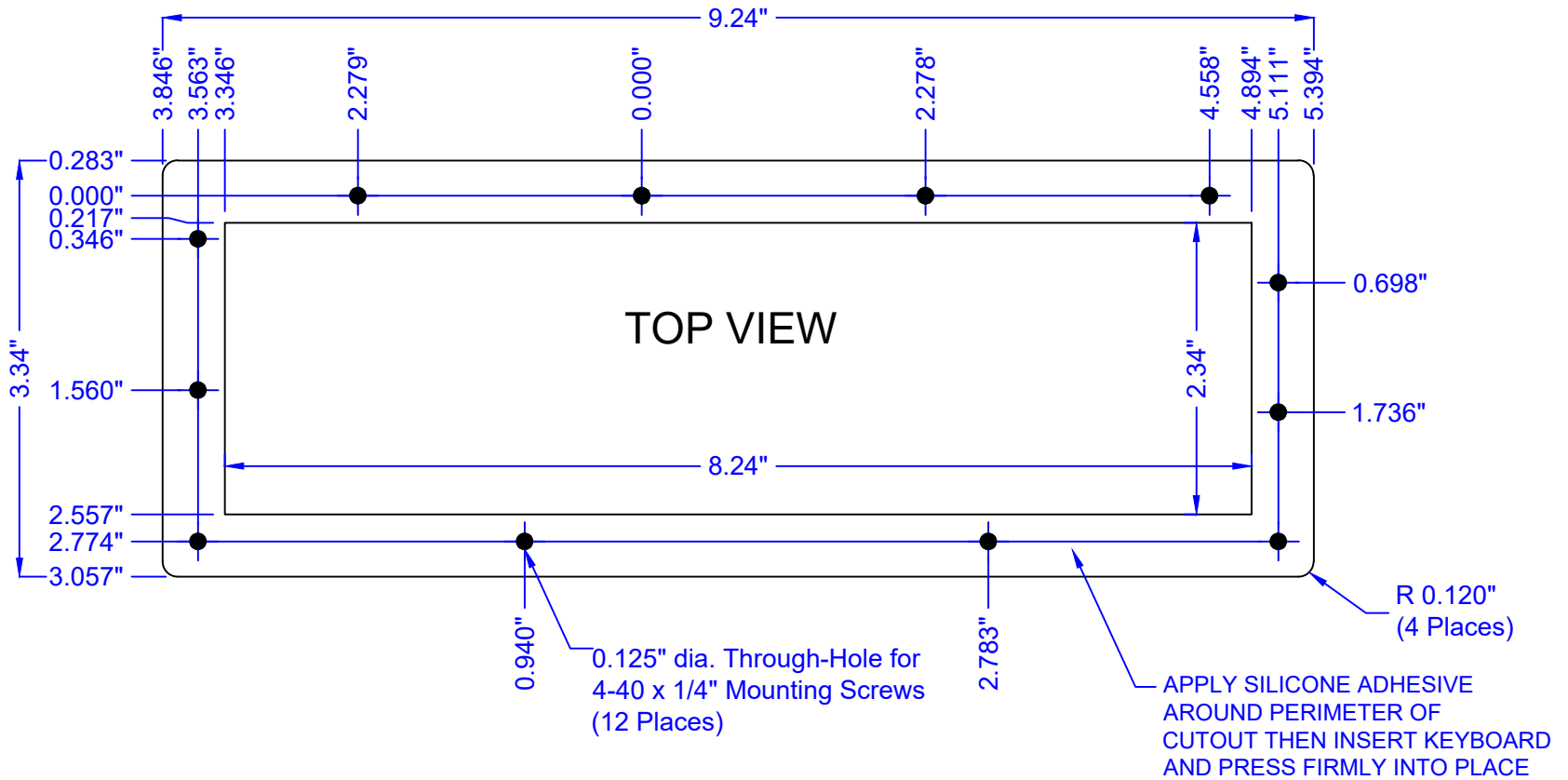
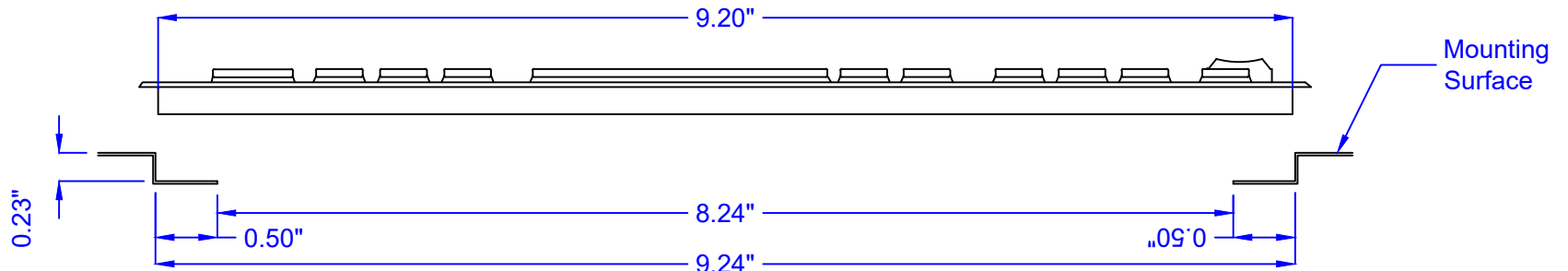
WEIGHT

0.75 lbs +/- 0.10 lbs (0.34 kg +/- 0.05 kg)

PROPRIETARY AND CONFIDENTIAL

SCALE: 1:1.5

SLK-80-FSR-OEM MOUNTING



PROPRIETARY AND CONFIDENTIAL

SCALE: 1:1.5