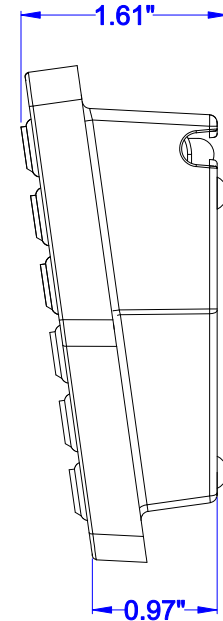
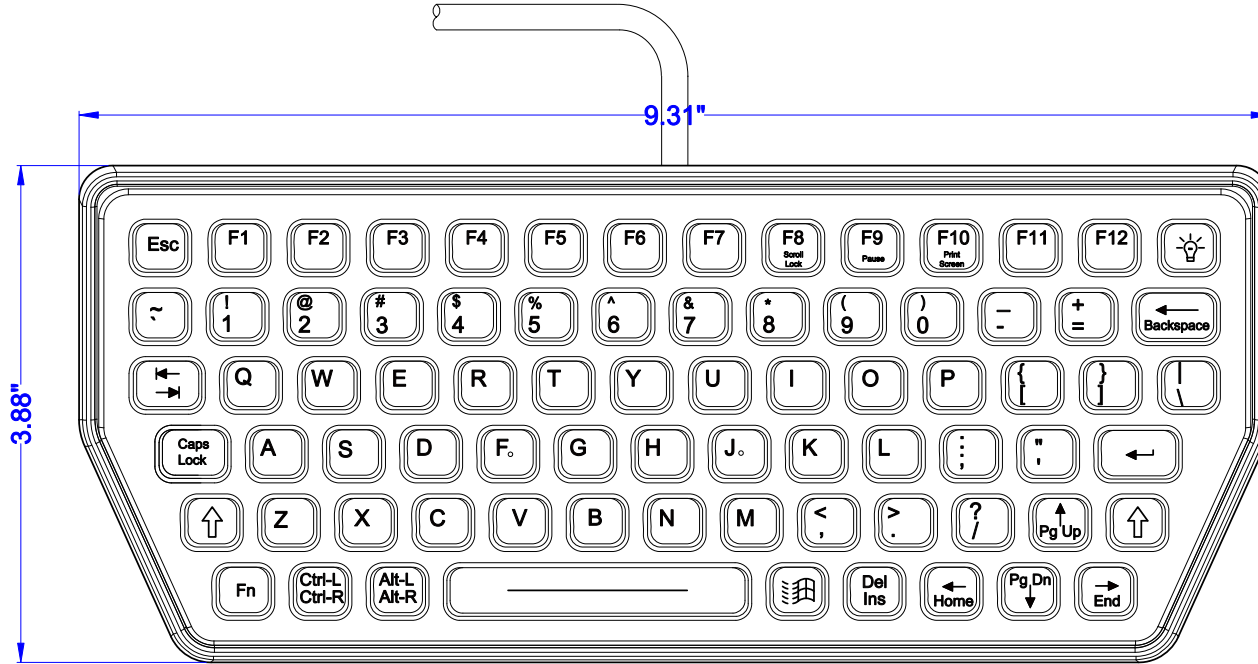


# SLK-77-M

DATE	CHANGES	INTL	REV
07.22.08	Original	JB	1.0
06.24.09	Updated Nomenclature and Dimension Accuracy	JB	2.0



## KEY SWITCH

**MATERIAL:** Industrial Silicone Rubber  
**LIFE:** Greater Than 10 Million Cycles  
**TRAVEL:** 0.055 in.  
**ACTUATION FORCE:** 4.76 oz. +/- 1.06oz (135g +/- 30g)  
**FEEDBACK:** Tactile with Mechanical Snap

## POWER

USB: 200mA@5V (from CPU port)

## TEMPERATURE RANGE

**STORAGE:** -40°F to +194°F (-40°C to +90°C)  
**OPERATING:** -40°F to +158°F (-40°C to +70°C)

## HUMIDITY

100% Humidity Resistant

## VIBRATION

**POWER SPECTRAL DENSITY:** .04g<sup>2</sup>/HZ  
**FREQUENCY RANGE:** 20Hz-2Khz  
**DURATION OF TEST PER AXIS:** 3 hours

## SHOCK

3 X 11 ms pulses of 50g on each of 3 axis

## WEIGHT

1.00 lbs +/- 0.10 lbs (0.45 kg +/- 0.05 kg)

PROPRIETARY AND CONFIDENTIAL

SCALE: 1:1.5



**iKey, Ltd.**  
 2621 Ridgpoint Dr. Suite 235  
 Austin, Texas 78754

©2008 iKey, Ltd.  
 Voice: (512) 837-0283  
 Fax: (512) 927-8530

Part Number: SLK-77-M

Drawing Title: SLK-77-M-MKT

Drawing Number: MKT0126

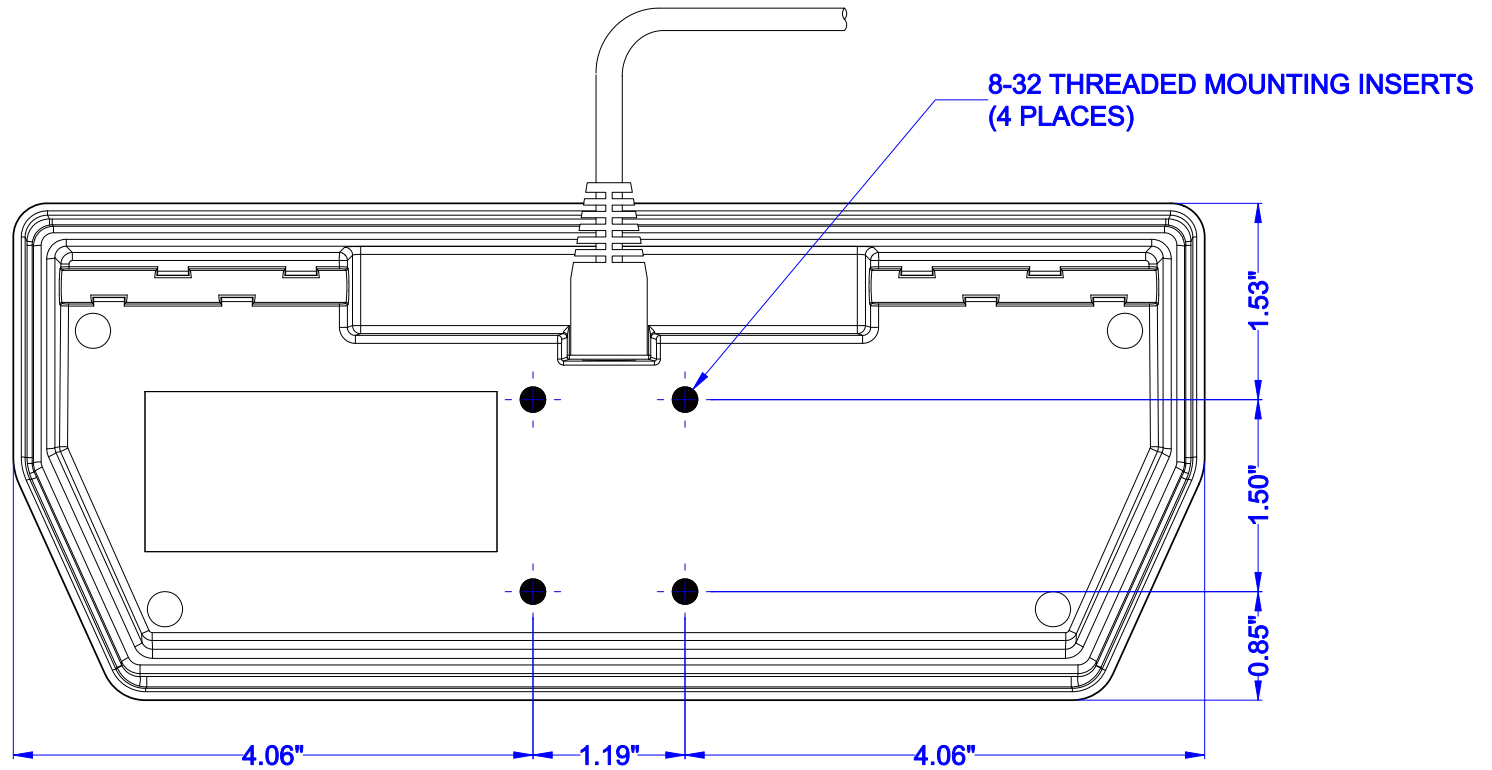
Revision: 2.0

Sheet: 1 OF 2

Date: 06.24.09

JWB

# SLK-77-M BACK / MOUNTING



ENCLOSURE CASE: ABS/Polycarbonate

PROPRIETARY AND CONFIDENTIAL

SCALE: 1:1.5



iKey, Ltd.  
2621 Ridgpoint Dr. Suite 235  
Austin, Texas 78754

©2008 iKey, Ltd.  
Voice: (512) 837-0283  
Fax: (512) 927-8630

Part Number: SLK-77-M  
Drawing Title: SLK-77-M-MKT

Drawing Number: MKT0126

Revision: 2.0

Sheet: 2 OF 2

Date: 06.24.09

JWB