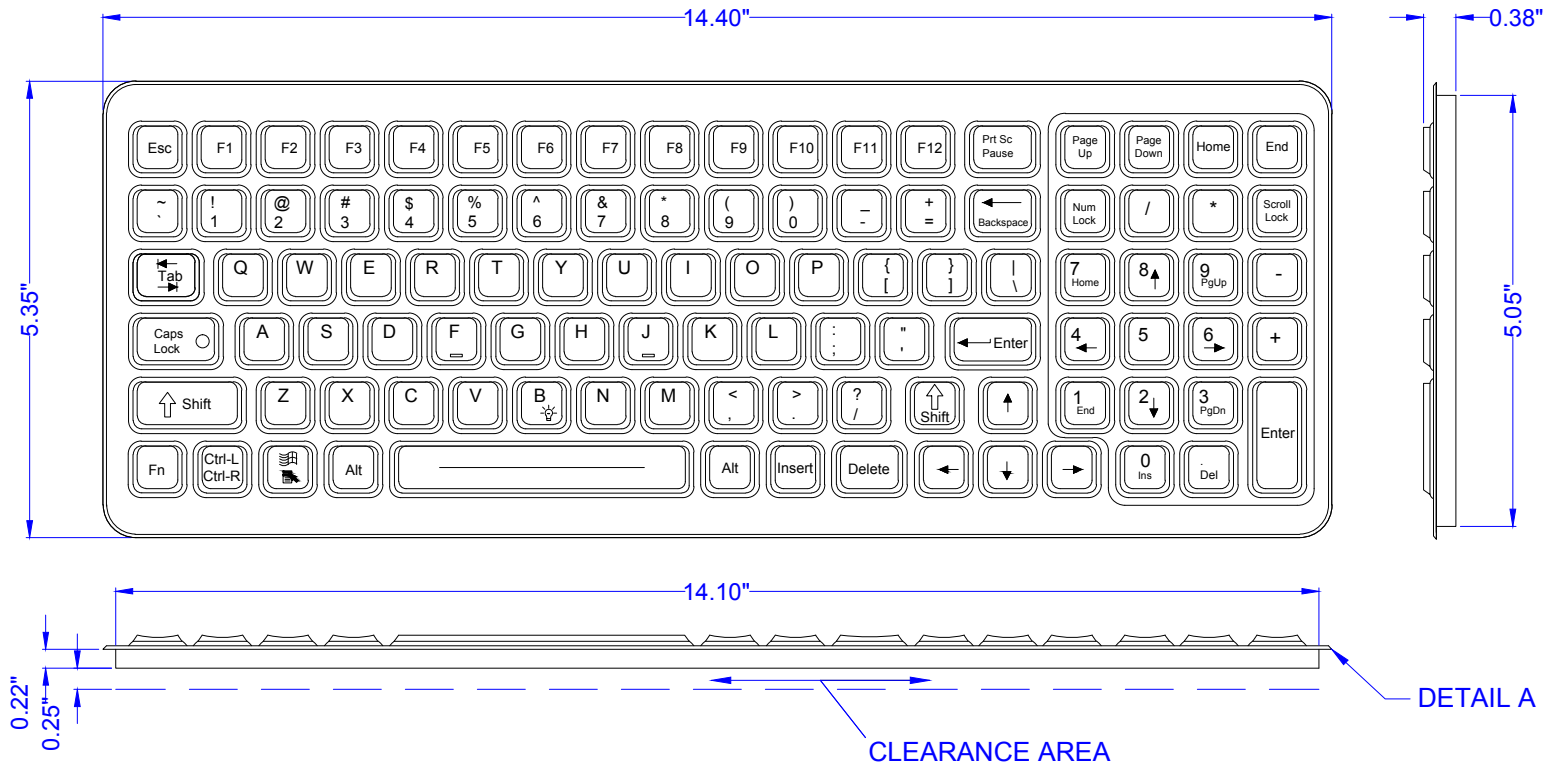
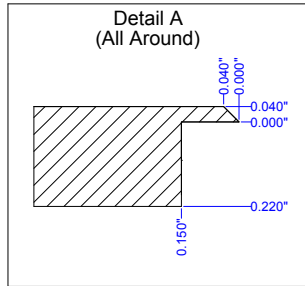


# SLK-101-8L-USB-OEM

DATE	CHANGES	INTL	REV
10.25.12	Original	TH	1.0

## NOTES:

- UNIT IS MOUNTED USING RTV ADHESIVE
- TALLEST COMPONENT EXTENDS 0.250" BELOW KEYPAD



## KEY SWITCH

MATERIAL: Industrial Silicone Rubber  
 LIFE: Greater Than 10 Million Cycles  
 TRAVEL: 0.055 in.  
 ACTUATION FORCE: 7.05 oz. +/- 1.06oz (200g +/- 30g)  
 FEEDBACK: Tactile with Mechanical Snap

## TEMPERATURE RANGE

STORAGE: -40°F to +194°F (-40°C to +90°C)  
 OPERATING: -40°F to +158°F (-40°C to +70°C)

## VIBRATION

POWER SPECTRAL DENSITY: .04g/HZ  
 FREQUENCY RANGE: 20Hz-2Khz  
 DURATION OF TEST PER AXIS: 3 hours

## POWER

BACKLIT:  
 USB: 210mA@5V (from CPU port)

## HUMIDITY

100% Humidity Resistant

## SHOCK

3 X 11 ms pulses of 50g on each of 3 axis

## WEIGHT

1.00 lbs +/- 0.10 lbs (0.45 kg +/- 0.05 kg)

PROPRIETARY AND CONFIDENTIAL

SCALE: 1:2.25



iKey, Ltd.  
 2621 Ridgepoint Dr. Suite 235  
 Austin, Texas 78754

©2012 iKey, Ltd.  
 Voice: (512) 837-0283  
 Fax: (512) 927-8530

Part Number: SLK-101-8L-USB-OEM

Drawing Title: SLK-101-8L-USB-OEM

Drawing Number: MKT0334

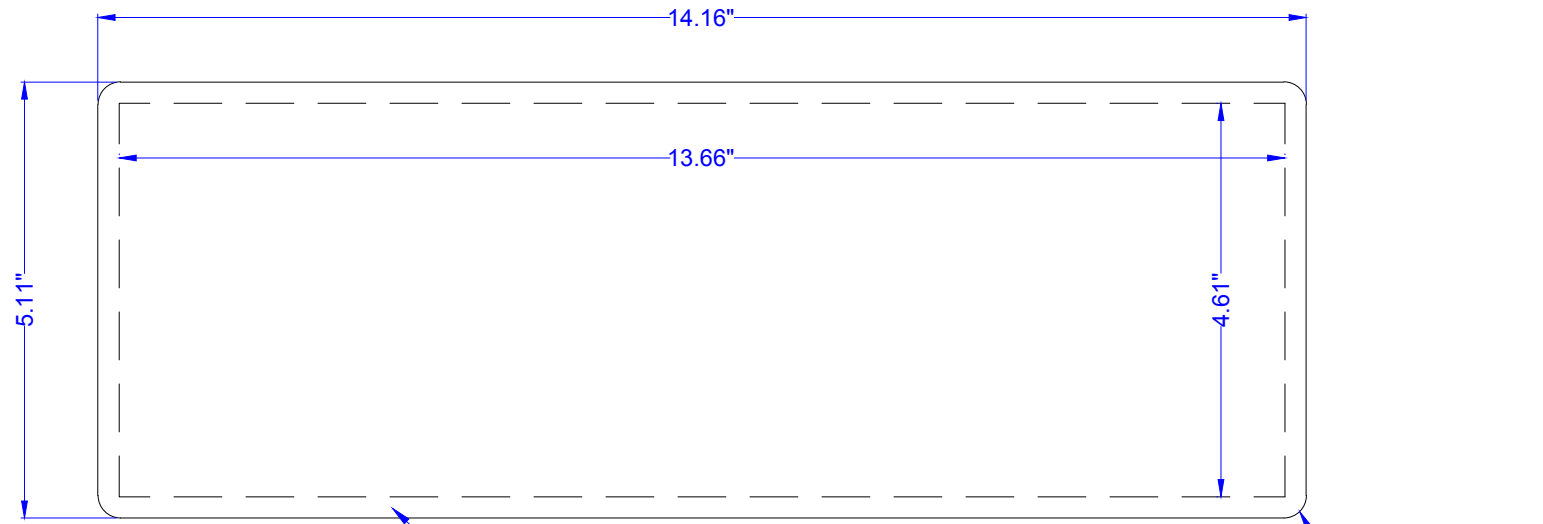
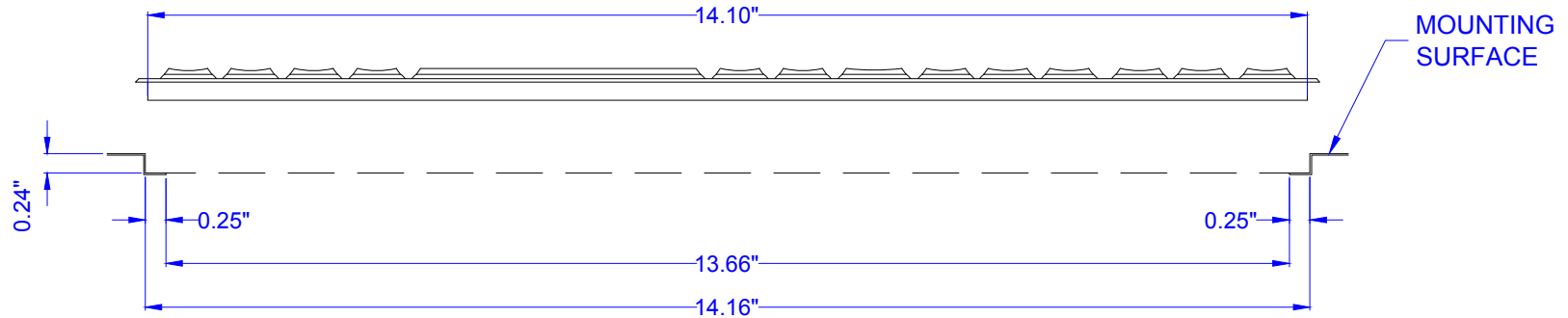
Revision: 1.0

Sheet: 1 OF 2

Date: 10.25.12

TWH

# 101-OEM MOUNTING



APPLY SILICONE ADHESIVE  
AROUND PERIMETER OF  
CUTOUT THEN INSERT KEYBOARD  
AND PRESS FIRMLY INTO PLACE

PROPRIETARY AND CONFIDENTIAL

SCALE: 1:2.25