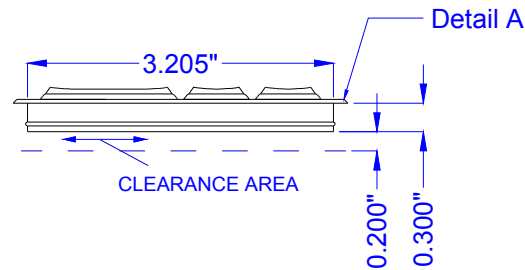
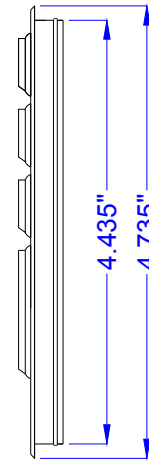
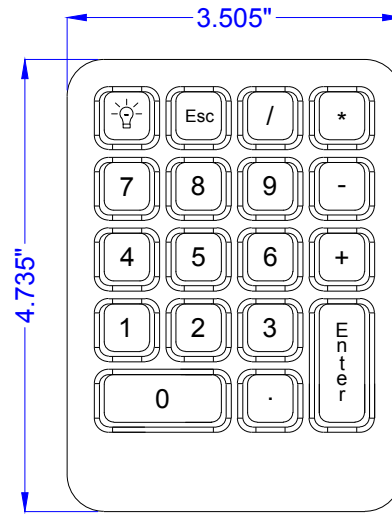
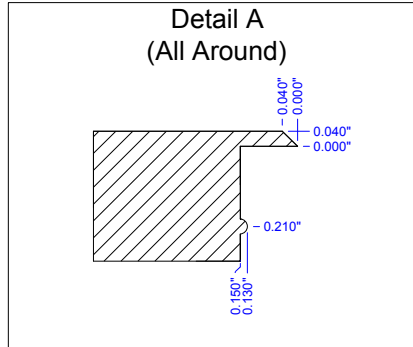


# SL-18-OEM

DATE	CHANGES	INTL	REV
11.04.10	Original	JMW	1.0
11.08.10	Updated Power	JMW	1.1

## NOTES:

1. UNIT IS MOUNTED USING RTV ADHESIVE AND #4-40 MOUNTING SCREWS (12 PLACES)
2. TALLEST COMPONENT EXTENDS 0.20" INCHES BELOW KEYPAD



## KEY SWITCH

MATERIAL: Industrial Silicone Rubber  
 LIFE: Greater Than 10 Million Cycles  
 TRAVEL: 0.055 in.  
 ACTUATION FORCE: 7.05 oz. +/- 1.06oz (200g +/- 30g)  
 FEEDBACK: Tactile with Mechanical Snap

## POWER

PS2: 175mA@5V (from Keyboard port)  
 USB: 175mA@5V (from USB port)

## TEMPERATURE RANGE

STORAGE: -40°F to +194°F (-40°C to +90°C)  
 OPERATING: -40°F to +158°F (-40°C to +70°C)

## HUMIDITY

100% Humidity Resistant

## VIBRATION

POWER SPECTRAL DENSITY: .04g<sup>2</sup>/HZ  
 FREQUENCY RANGE: 20Hz-2Khz  
 DURATION OF TEST PER AXIS: 3 hours

## SHOCK

3 X 11 ms pulses of 50g on each of 3 axis

## WEIGHT

0.20 lbs +/- 0.10 lbs (0.09 kg +/- 0.05 kg)

PROPRIETARY AND CONFIDENTIAL

SCALE: 1:2



iKey, Ltd.  
 2621 Ridgpoint Dr. Suite 235  
 Austin, Texas 78754

©2010 iKey, Ltd.  
 Voice: (512) 837-0283  
 Fax: (512) 927-8530

Part Number: SL-18-OEM

Drawing Title: SL-18-OEM-MKT

Drawing Number: MKT0236

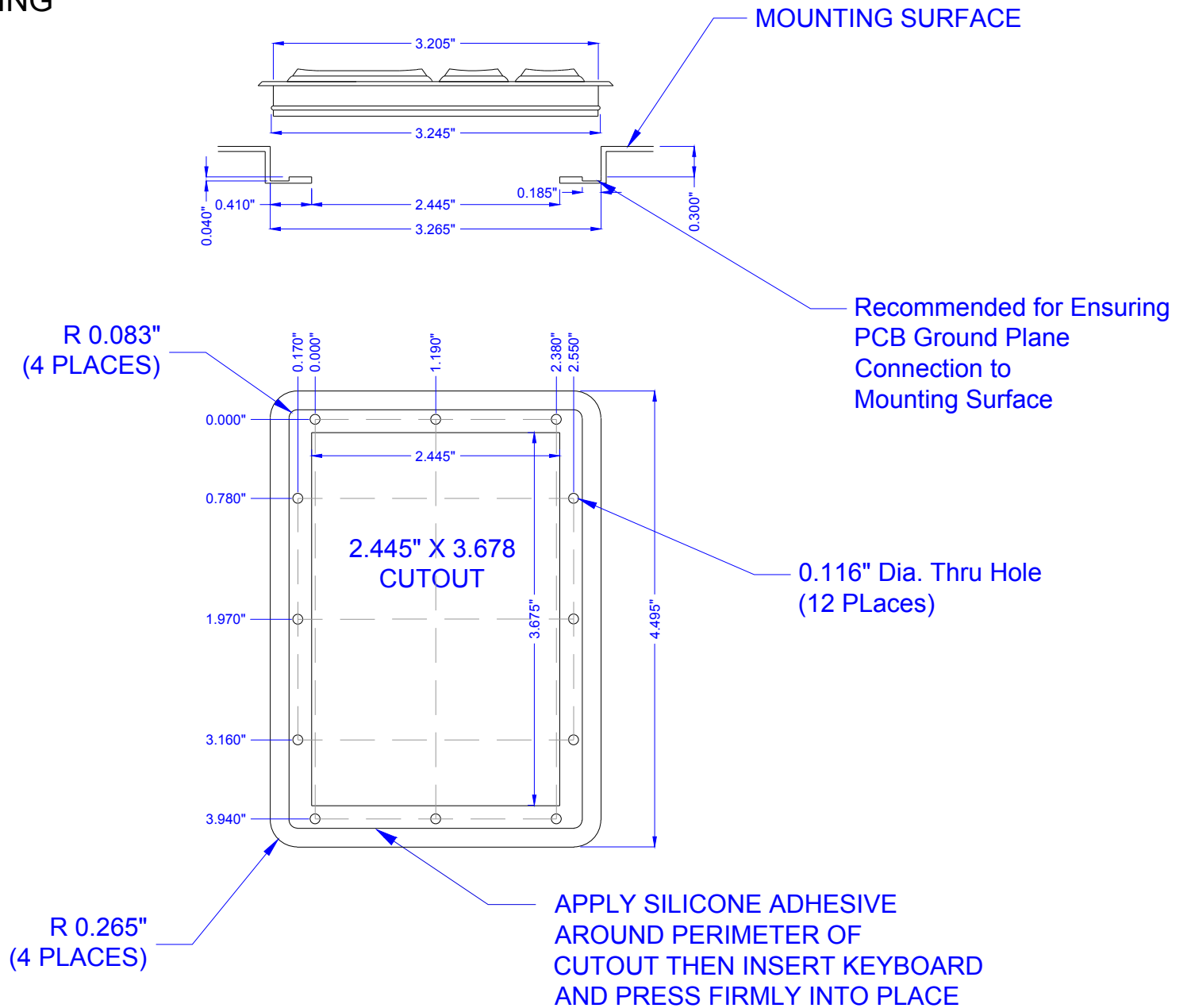
Revision: 1.1

Sheet: 1 OF 2

Date: 11.08.10

JMW

# SL-18-OEM MOUNTING



PROPRIETARY AND CONFIDENTIAL

SCALE: 1:1.5



iKey, Ltd.  
2621 Ridgpoint Dr. Suite 235  
Austin, Texas 78754

©2010 iKey, Ltd.  
Voice: (512) 837-0283  
Fax: (512) 927-8530

Part Number: SL-18-OEM  
Drawing Title: SL-18-OEM-MKT

Drawing Number: MKT0236  
Revision: 1.1

Sheet: 2 OF 2  
Date: 11.08.10

JMW