

RDC-5K-FSR

DATE	CHANGES	INTL	REV
04.30.15	Original	SCC	1.0
06.16.16	Added frame thickness dimension	ALH	1.1
10.25.17	Added rear view, updated drawing number	ALH	1.2

2 Piece, 12" Steel Ball Bearing Drawer Slides

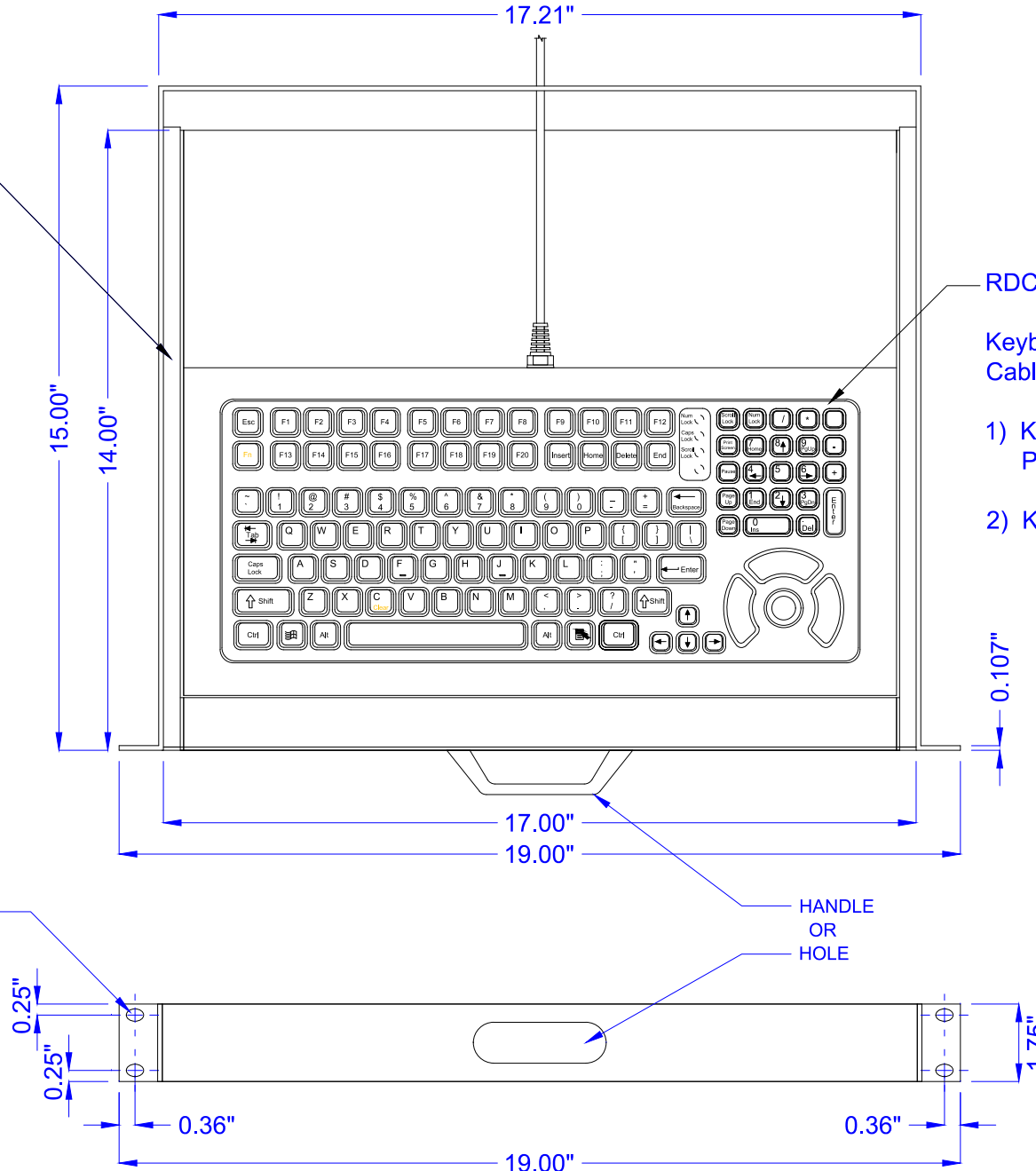
RDC-5K-FSR Keyboard

Keyboard and Pointer Interface Cable Cabling options:

- 1) Keyboard: PS/2 (6-pin mini-din)
Pointer: PS/2 (6-pin mini-din)
- 2) Keyboard & Pointer: single USB

Mounting Slots
0.40" x 0.28"
(4 Places)

HANDLE OR HOLE



PROPRIETARY AND CONFIDENTIAL

SCALE: 1:4



iKey, Ltd.
2621 Ridgpoint Dr. Suite 235
Austin, Texas 78754

©2017 iKey, Ltd.
Voice: (512) 837-0283
Fax: (512) 927-8530

Part Number: RDC-5K-FSR

Drawing Title: RDC-5K-FSR-MKT

Drawing Number: MKT0418

Revision: 1.2

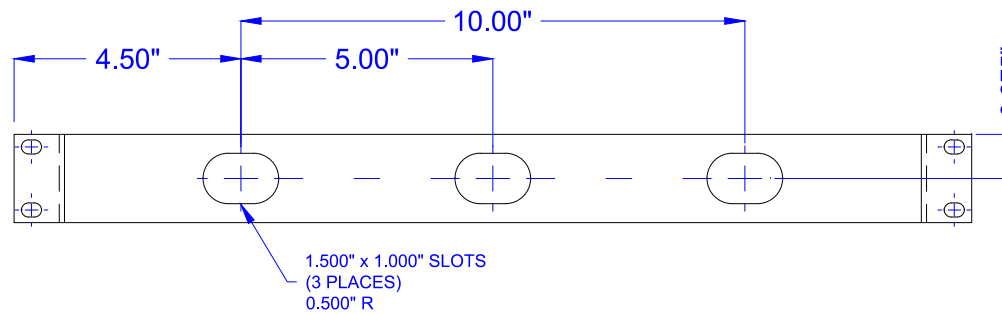
Sheet: 1 OF 2

Date: 10.25.17

ALH

RDC-5K-FSR

VIEW FROM THE REAR



KEY SWITCH

MATERIAL: Industrial Silicone Rubber
 LIFE: Greater Than 10 Million Cycles
 TRAVEL: 0.055 in.
 ACTUATION FORCE: 7.05 oz. +/- 1.06oz (200g +/- 30g)
 FEEDBACK: Tactile with Mechanical Snap

TEMPERATURE RANGE

STORAGE: -40°F to +158°F (-40°C to +70°C)
 OPERATING: -4°F to +140°F (-20°C to +60°C)

VIBRATION

POWER SPECTRAL DENSITY: .04g/HZ
 FREQUENCY RANGE: 20Hz-2Khz
 DURATION OF TEST PER AXIS: 3 hours

POWER (Maximum)

PS2: KEYBOARD: 35mA@5V (from Keyboard port)
 POINTER: 5mA@5V (from Mouse port)
*PS2 current ratings valid only when both keyboard and mouse are connected
 USB: 40mA@5V (from USB port)

HUMIDITY

100% Humidity Resistant

SHOCK

3 X 11 ms pulses of 50g on each of 3 axis

WEIGHT

12.50 lbs +/- 0.10 lbs (5.67 kg +/- 0.05 kg)

PROPRIETARY AND CONFIDENTIAL

SCALE: 1:4



iKey, Ltd.
 2621 Ridgpoint Dr. Suite 235
 Austin, Texas 78754

©2017 iKey, Ltd.
 Voice: (512) 837-0283
 Fax: (512) 927-8530

Part Number: RDC-5K-FSR

Drawing Title: RDC-5K-FSR-MKT

Drawing Number: MKT0418

Revision: 1.2

Sheet: 2 OF 2

Date: 10.25.17

ALH