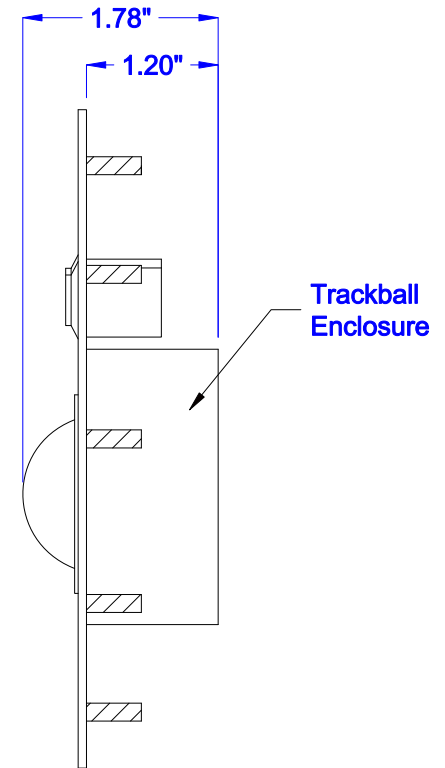
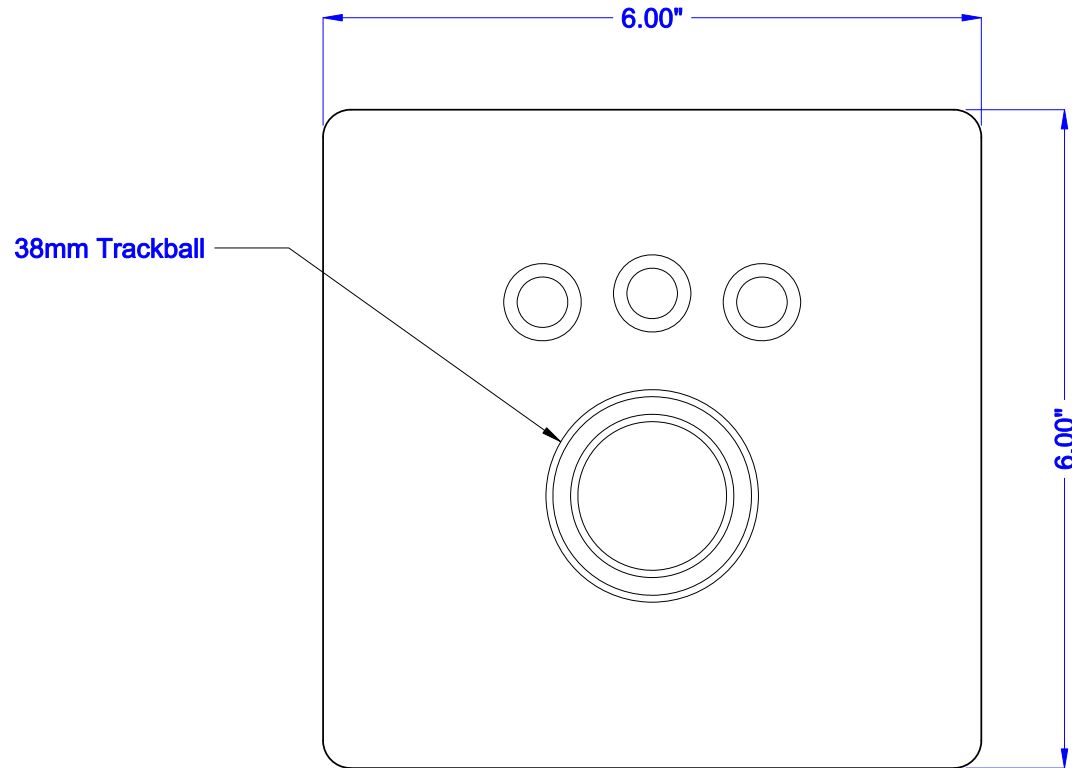


PM-TB

DATE	CHANGES	INTL	REV
08.26.04	Original		1.00
01.02.09	Updated Format	JB	1.00



KEY SWITCH

MATERIAL: Brushed Stainless Steel
LIFE: Greater Than 1 Million Cycles
TRAVEL: 0.051 in.
ACTUATION FORCE: 14.00 oz. +/- 1.06oz (397g +/- 30g)
FEEDBACK: Tactile with Mechanical Snap

TEMPERATURE RANGE

STORAGE: -40°F to +185°F (-40°C to +85°C)
OPERATING: +32°F to +181°F (0°C to +55°C)

VIBRATION

POWER SPECTRAL DENSITY: .04g/HZ
FREQUENCY RANGE: 20Hz-2Khz
DURATION OF TEST PER AXIS: 3 hours

POWER

PS2: 45mA@5V (from Mouse port)
USB: 45mA@5V (from CPU port)

HUMIDITY

100% Humidity Resistant

SHOCK

3 X 11 ms pulses of 50g on each of 3 axis

WEIGHT

2.25 lbs +/- 0.10 lbs (1.02 kg +/- 0.05 kg)

PROPRIETARY AND CONFIDENTIAL

SCALE: 1:1.75



iKey, Ltd.
 2621 Ridgpoint Dr. Suite 235
 Austin, Texas 78754

©2008 iKey, Ltd.

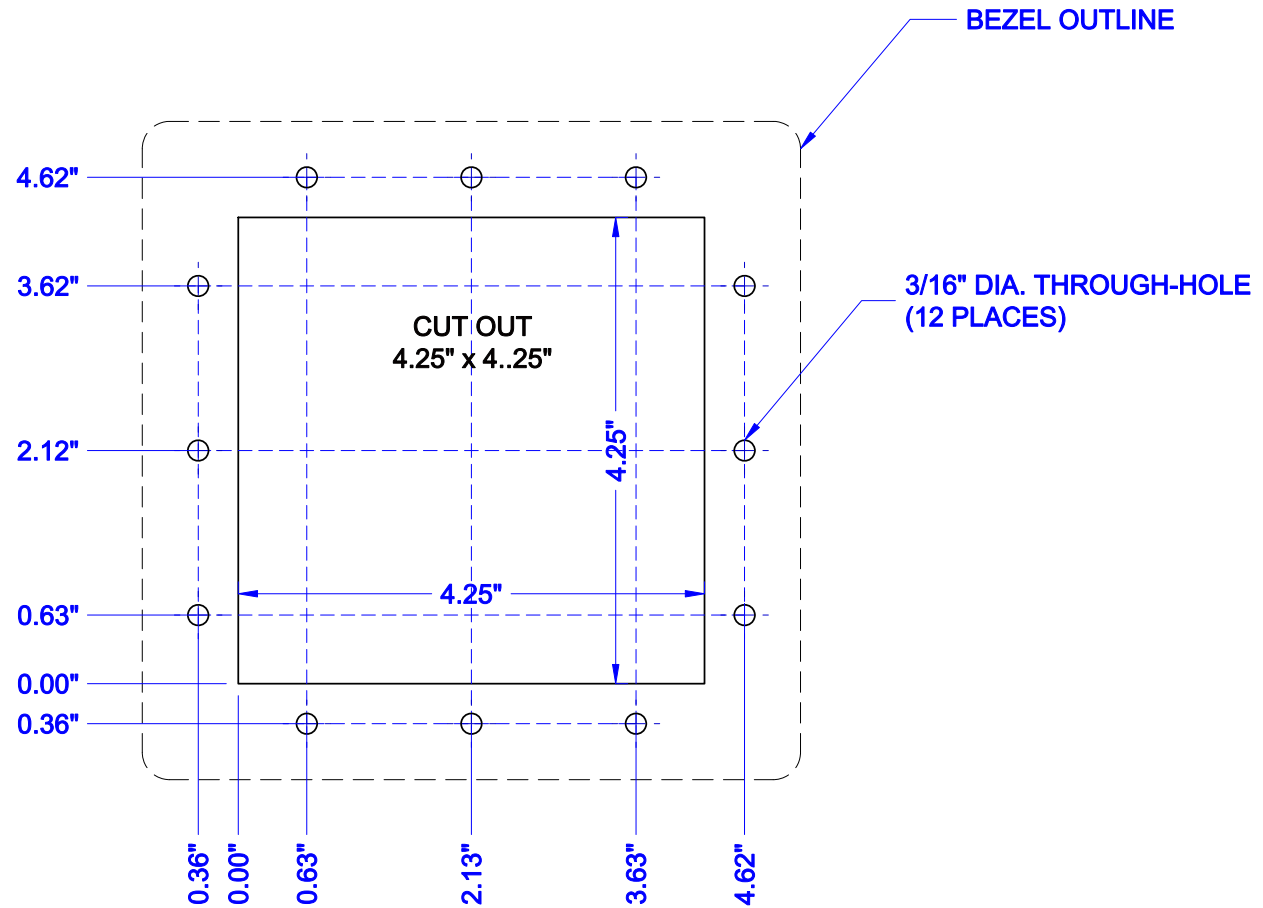
Voice: (512) 837-0283
 Fax: (512) 927-8630

Part Number: PM-TB
Drawing Title: PM-TB-MKT

Drawing Number: MKT0031
Revision: 1.00

Sheet: 1 OF 2
Date: 01.02.09
JWB

PM-TB MOUNTING



PM BEZEL: Stainless Steel with #8-32 x 0.50" Studs (12 Places)

PROPRIETARY AND CONFIDENTIAL

SCALE: 1:1.75



iKey, Ltd.
2621 Ridgpoint Dr. Suite 235
Austin, Texas 78754

©2008 iKey, Ltd.

Voice: (512) 837-0283
Fax: (512) 927-8630

Part Number: PM-TB

Drawing Title: PM-TB-MKT

Drawing Number: MKT0031

Revision: 1.00

Sheet: 2 OF 2

Date: 01.02.09

JWB