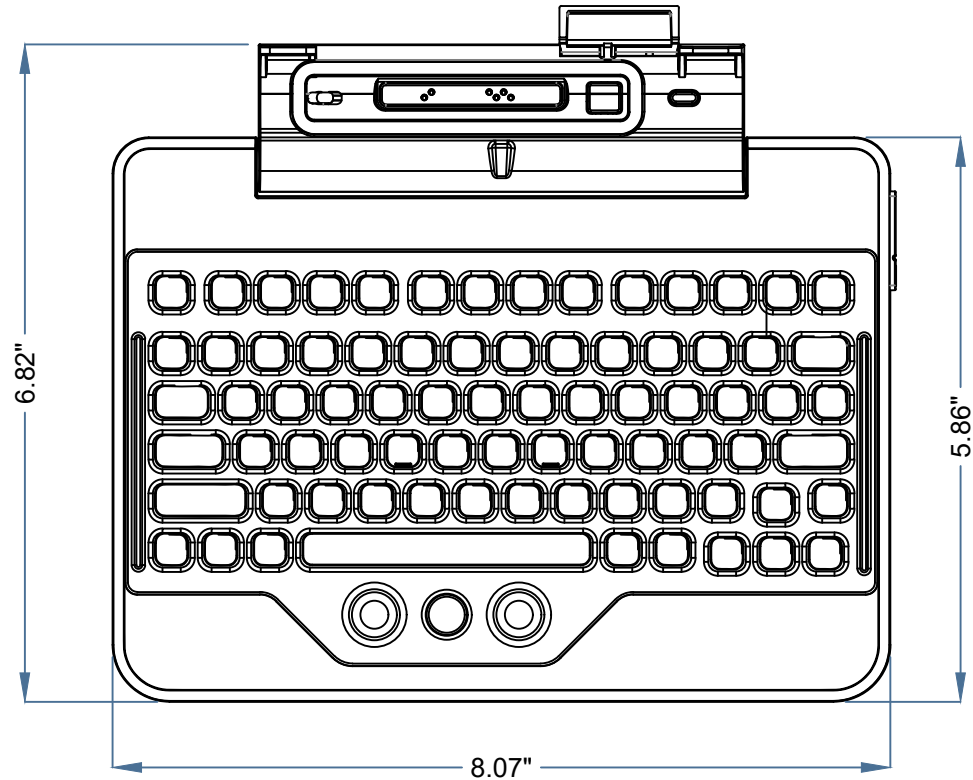
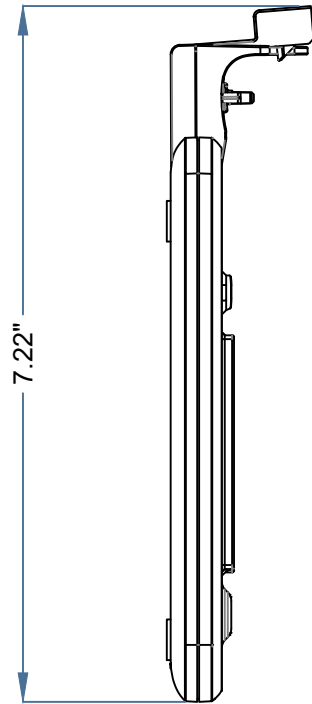


IK-PAN-FZM1-C1

DATE	CHANGES	INTL	REV
02.13.18	Original	AH	1.0



KEY SWITCH

MATERIAL: Industrial Silicone Rubber
 LIFE: Greater Than 10 Million Cycles
 TRAVEL: 0.055 in.
 ACTUATION FORCE: 7.03 oz. +/- 1.06oz (200g +/- 30g)
 FEEDBACK: Tactile with Mechanical Snap

TEMPERATURE RANGE

STORAGE: -40°F to +185°F (-40°C to +85°C)
 OPERATING: 14°F to +122°F (-10°C to +50°C)

WEIGHT

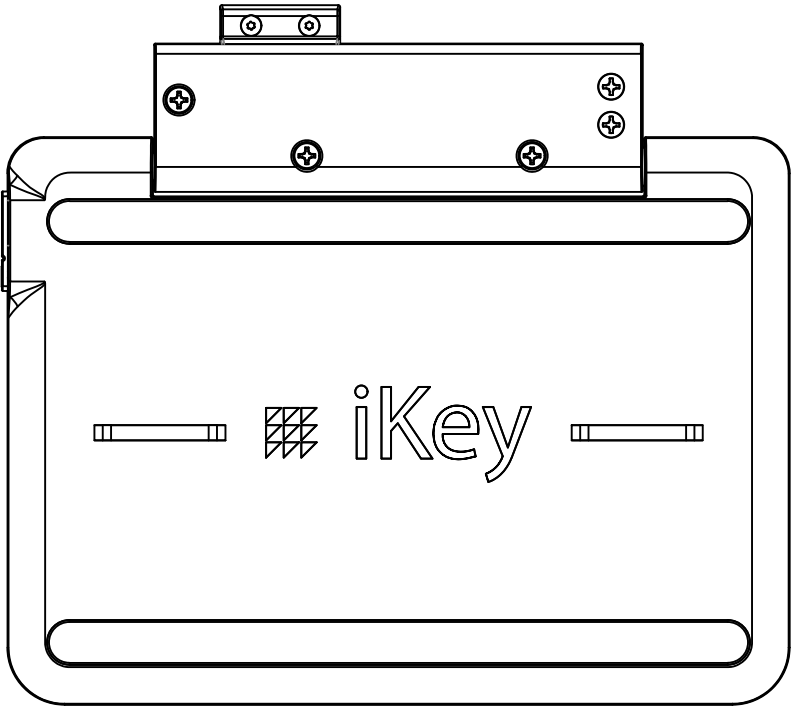
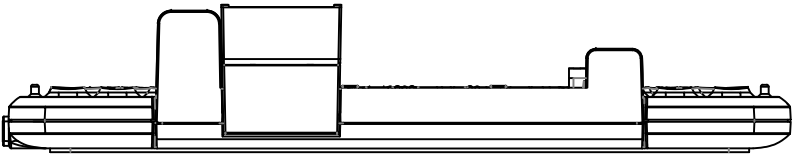
1.4 lbs +/- 0.10 lbs (0.95 kg +/- 0.05 kg)

POWER

USB: MAX 235mA@5V (from CPU port)

PROPRIETARY AND CONFIDENTIAL

IK-PAN-FZM1-C1



PROPRIETARY AND CONFIDENTIAL