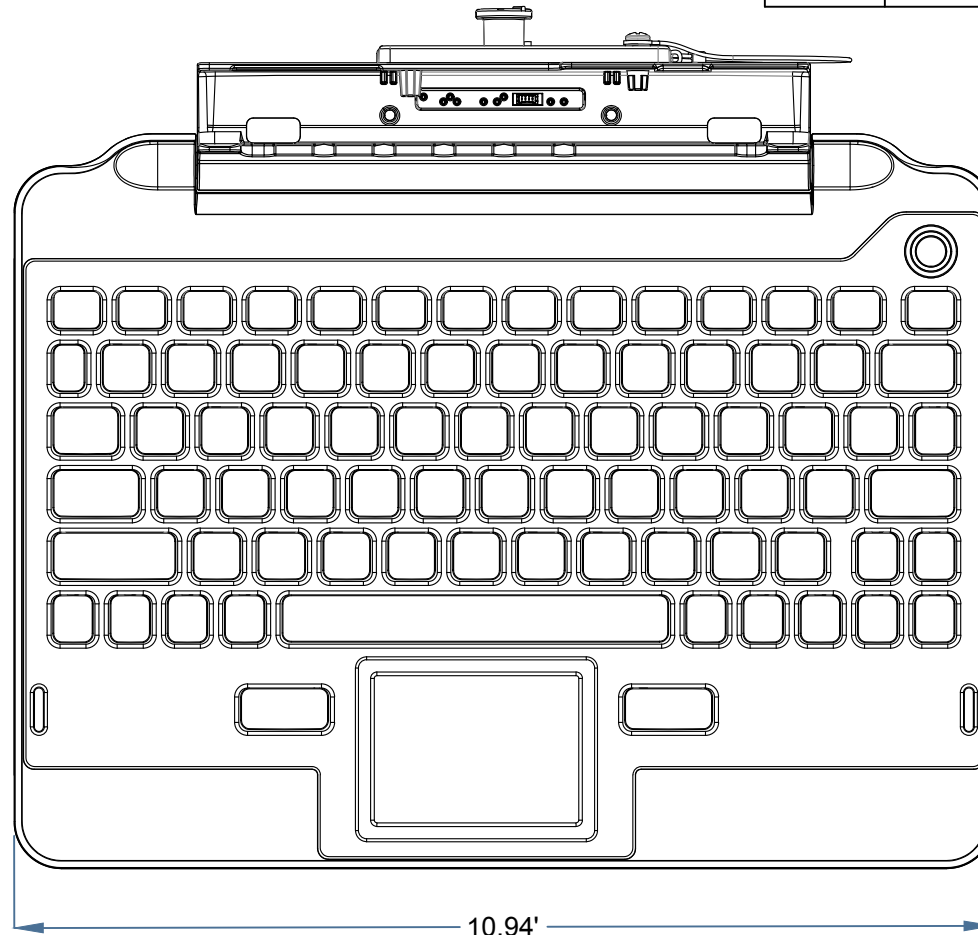
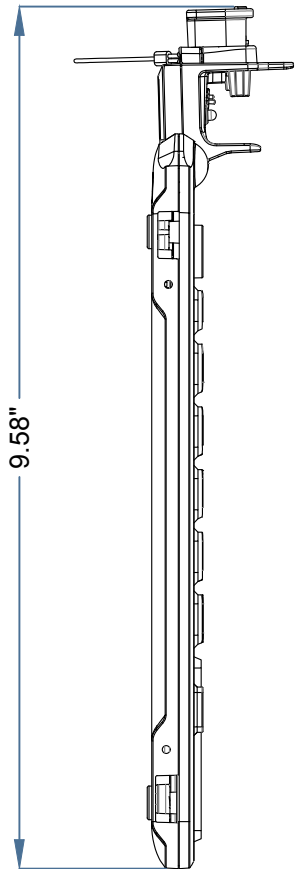


IK-PAN-FZG1-C1-LM

DATE	CHANGES	INTL	REV
12.05.16	Original	AH	1.0



KEY SWITCH

MATERIAL: Industrial Silicone Rubber
 LIFE: Greater Than 10 Million Cycles
 TRAVEL: 0.055 in.
 ACTUATION FORCE: 7.03 oz. +/- 1.06oz (200g +/- 30g)
 FEEDBACK: Tactile with Mechanical Snap

TEMPERATURE RANGE

STORAGE: -40°F to +185°F (-40°C to +85°C)
 OPERATING: 14°F to +122°F (-10°C to +50°C)
 TEMPERATURE SHOCK: -40°F to +185°F (-40°C to +85°C)
 Within 15 Seconds, 2 Hour Dwells

SHOCK

STANDARD: MIL-STD-810G 514.6
 OPERATIONAL: 1.15Grms
 NON-OPERATIONAL: 7.69Grms

POWER

USB: MAX 235mA@5V (from CPU port)


WEIGHT

2.1 lbs +/- 0.10 lbs (0.95 kg +/- 0.05 kg)

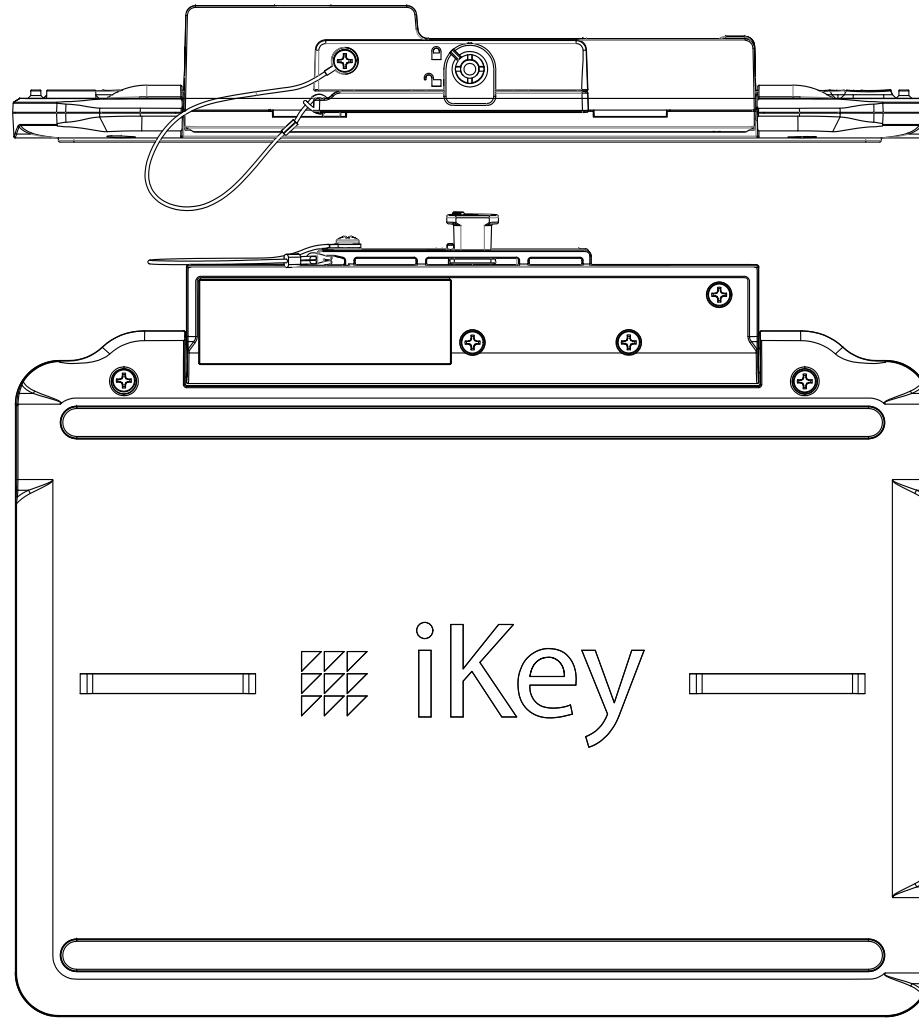
VIBRATION

STANDARD: MIL-STD-810G 514.6
 OPERATIONAL: 2 Cycles/Axis (1 Hour/Cycle) @ 10-500Hz
 NON-OPERATIONAL: 2 Cycles/Axis (1 Hour/Cycle) @ 20-2000Hz

PROPRIETARY AND CONFIDENTIAL

 iKey, Ltd. 2621 Ridgepoint Dr. Suite 235 Austin, Texas 78754 Voice: (512) 837-0283 Fax: (512) 927-8530	©2014 iKey, Ltd.	Part Number: IK-PAN-FZG1-C1-LM	Drawing Number: MKT0394	Sheet: 1 OF 3	
		Drawing Title: IK-PAN-FZG1-C1-LM-MKT	Revision: 1.0	Date: 12.05.16	TWH

IK-PAN-FZG1-C1-LM



PROPRIETARY AND CONFIDENTIAL



iKey, Ltd.
2621 Ridgpoint Dr. Suite 235
Austin, Texas 78754

©2014 iKey, Ltd.
Voice: (512) 837-0283
Fax: (512) 927-8530

Part Number: IK-PAN-FZG1-C1-LM

Drawing Title: IK-PAN-FZG1-C1-LM-MKT

Drawing Number: MKT0394

Revision: 1.0

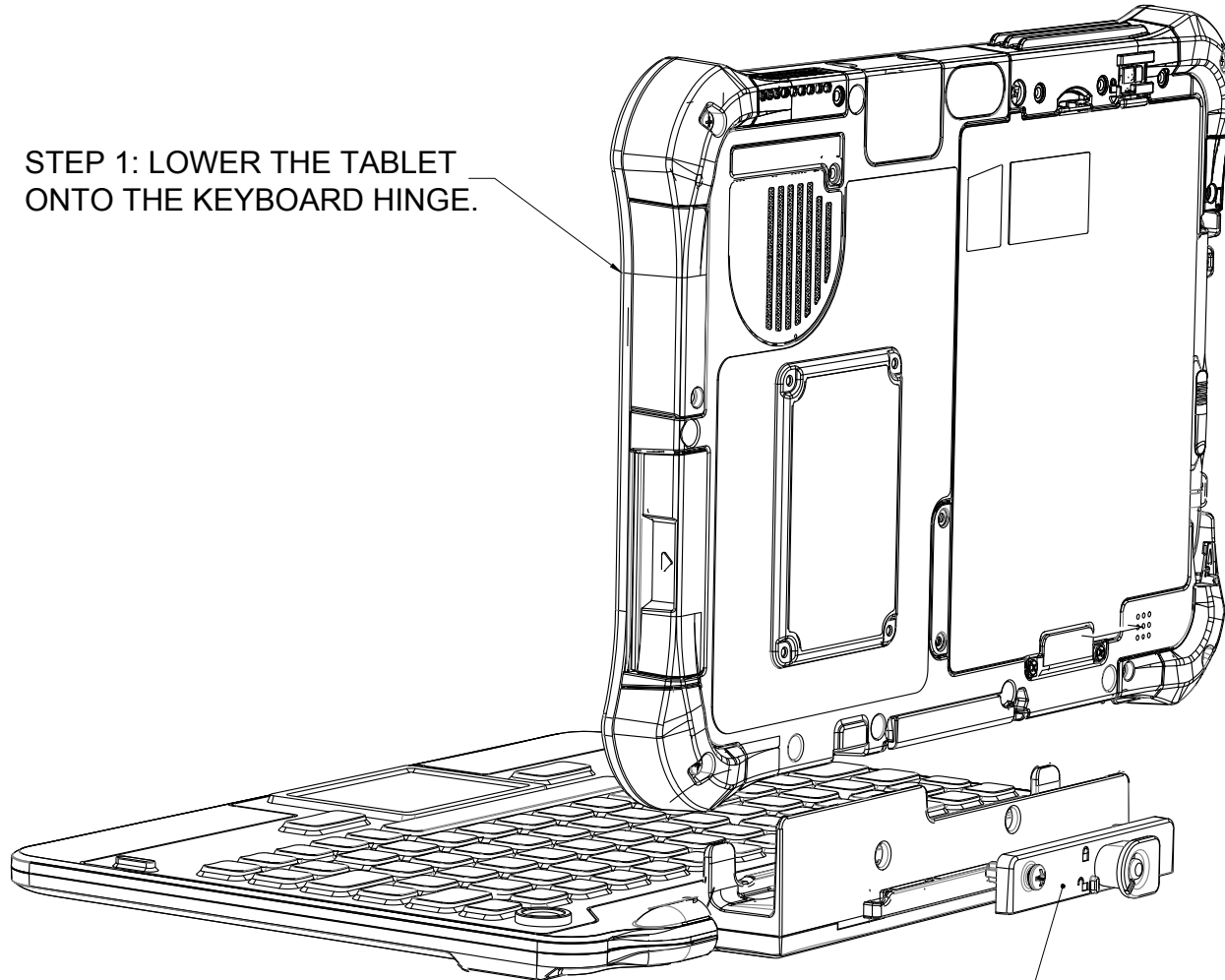
Sheet: 2 OF 3

Date: 12.05.1

TWH

IK-PAN-FZG1-C1-LM - DOCKING and UNDOCKING

STEP 1: LOWER THE TABLET
ONTO THE KEYBOARD HINGE.



STEP 2: SLID THE LOCKING PLATE INTO
PLACE. ROTATE KNOB TO SECURE TABLET.

PROPRIETARY AND CONFIDENTIAL



iKey, Ltd.
2621 Ridgepoint Dr. Suite 235
Austin, Texas 78754

©2016 iKey, Ltd.
Voice: (512) 837-0283
Fax: (512) 927-8530

Part Number: IK-PAN-FZG1-C1-LM

Drawing Title: IK-PAN-FZG1-C1-LM-MKT

Drawing Number: MKT0394

Revision: 1.0

Sheet: 3 OF 3

Date: 12.05.16

ALH