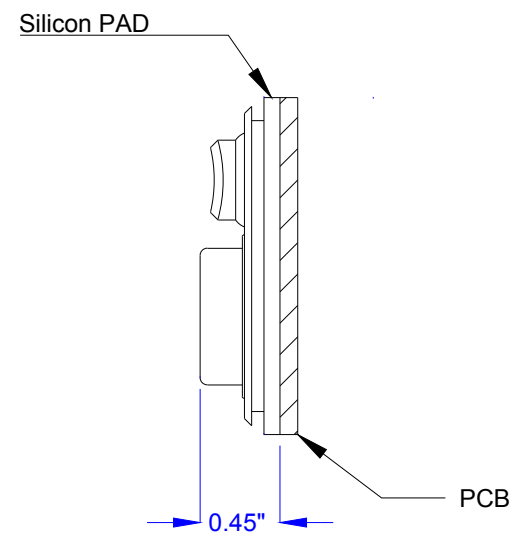
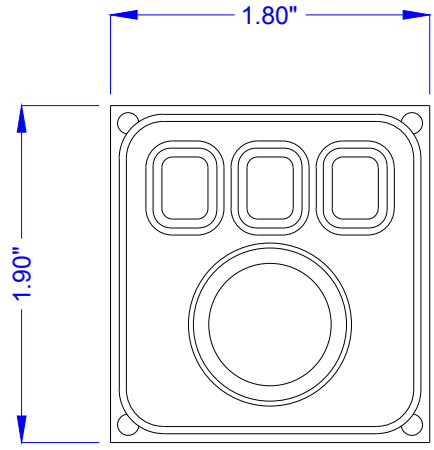


IK-2020-FSR-OEM

DATE	CHANGES	INTL	REV
03.23.16	Original	AH	1.0
01.26.17	Added pinout guide	AH	1.1



KEY SWITCH

MATERIAL: Industrial Silicone Rubber
 LIFE: Greater Than 10 Million Cycles
 TRAVEL: 0.040 in.
 ACTUATION FORCE: 7.05 oz. +/- 1.41oz (200g +/- 40g)
 FEEDBACK: Tactile with Mechanical Snap

TEMPERATURE RANGE

STORAGE: -40°F to +194°F (-40°C to +90°C)
 OPERATING: -40°F to +158°F (-40°C to +70°C)

VIBRATION

POWER SPECTRAL DENSITY: .04g/HZ
 FREQUENCY RANGE: 20Hz-2KHz
 DURATION OF TEST PER AXIS: 3 hours

POWER

PS2: POINTER: 35mA@5V (from Mouse port)
 USB: 35mA@5V (from CPU port)

HUMIDITY

100% Humidity Resistant

SHOCK

3 X 11 ms pulses of 50g on each of 3 axis

WEIGHT

0.25 lbs +/- 0.10 lbs (0.11 kg +/- 0.05 kg)

PROPRIETARY AND CONFIDENTIAL

SCALE: 1:1



iKey, Ltd.
 2621 Ridgpoint Dr. Suite 235
 Austin, Texas 78754

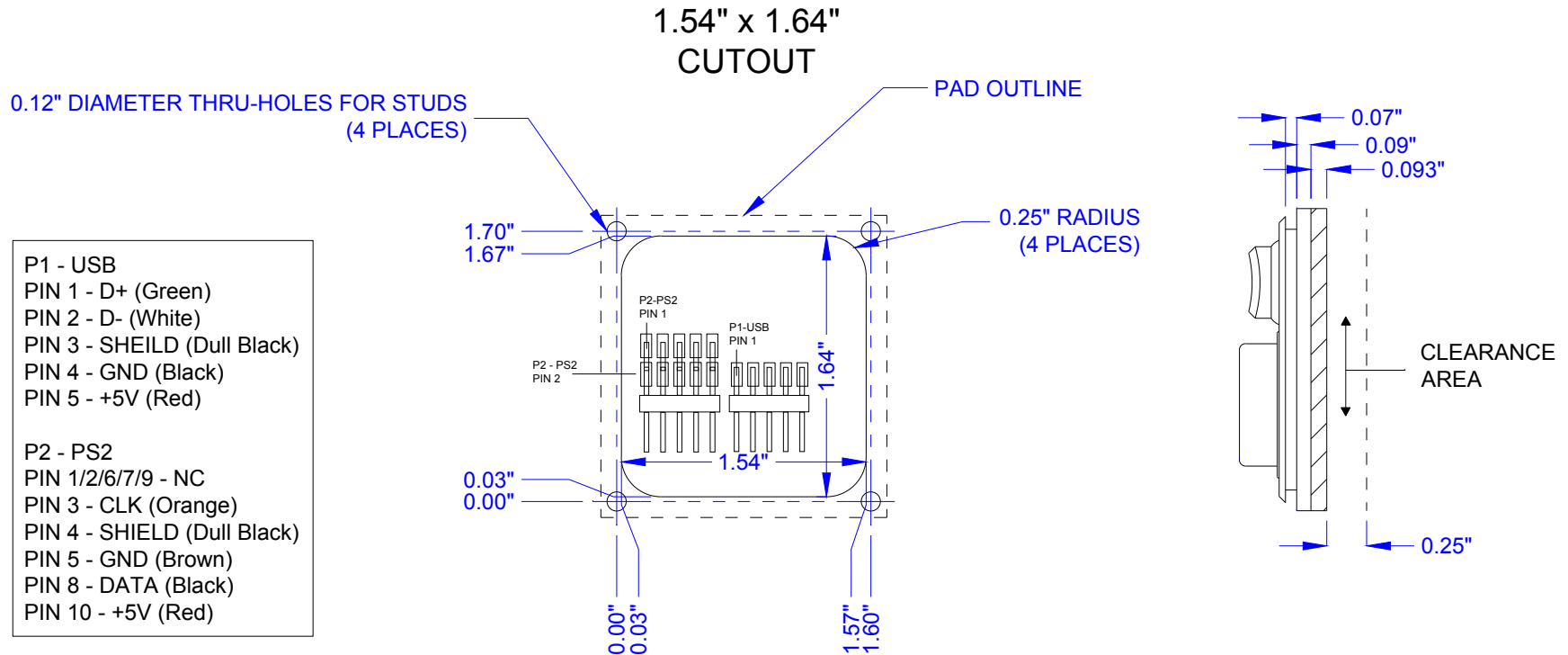
©2008 iKey, Ltd.
 Voice: (512) 837-0283
 Fax: (512) 927-8630

Part Number: IK-2020-FSR-OEM
 Drawing Title: IK-2020-FSR-OEM-MKT

Drawing Number: MKT0379
 Revision: 1.0

Sheet: 1 OF 2
 Date: 01.26.17
 ALH

IK-2020-FSR-OEM MOUNTING



PROPRIETARY AND CONFIDENTIAL

SCALE: 1:1



iKey, Ltd.
2621 Ridgpoint Dr. Suite 235
Austin, Texas 78754

©2016 iKey, Ltd.
Voice: (512) 837-0283
Fax: (512) 927-8530

Part Number: IK-2020-FSR-OEM
Drawing Title: IK-2020-FSR-OEM-MKT

Drawing Number: MKT0379
Revision: 1.0

Sheet: 2 OF 2	Date: 03.23.16	ALH
---------------	----------------	-----