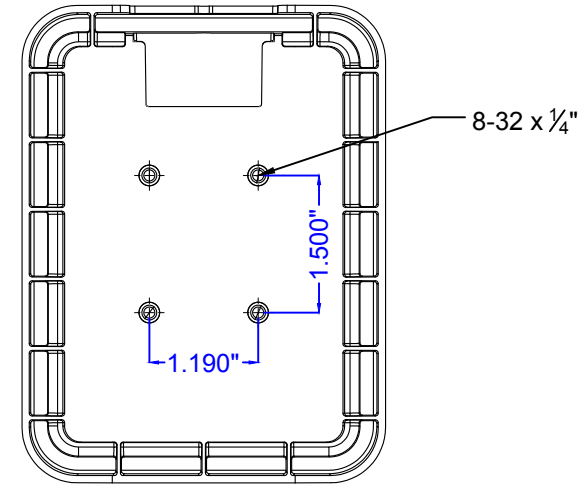
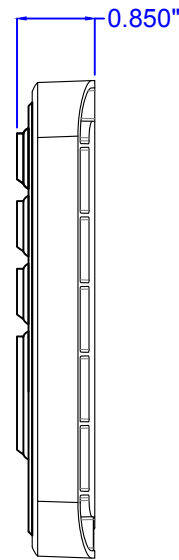
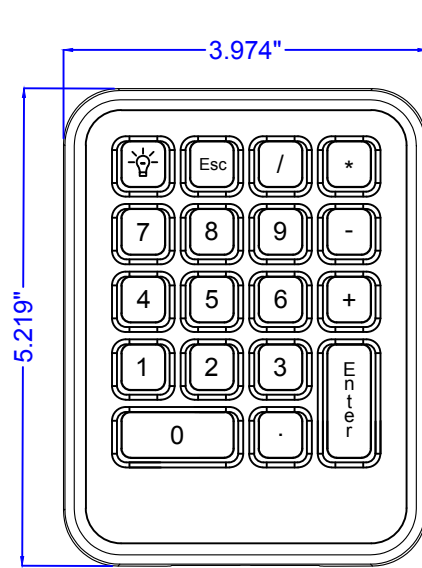


IK-18

DATE	CHANGES	INTL	REV
07.08.16	Original	AH	1.0



KEY SWITCH

MATERIAL: Industrial Silicone Rubber
 LIFE: Greater Than 10 Million Cycles
 TRAVEL: 0.055 in.
 ACTUATION FORCE: 7.05 oz. +/- 1.06oz (200g +/- 30g)
 FEEDBACK: Tactile with Mechanical Snap

POWER

PS2: 175mA@5V (from Keyboard port)
 USB: 175mA@5V (from USB port)

TEMPERATURE RANGE

STORAGE: -40°F to +194°F (-40°C to +90°C)
 OPERATING: -40°F to +158°F (-40°C to +70°C)

HUMIDITY

100% Humidity Resistant

VIBRATION

POWER SPECTRAL DENSITY: .04g²/HZ
 FREQUENCY RANGE: 20Hz-2Khz
 DURATION OF TEST PER AXIS: 3 hours

SHOCK

3 X 11 ms pulses of 50g on each of 3 axis

WEIGHT

0.36 lbs +/- 0.10 lbs

PROPRIETARY AND CONFIDENTIAL

SCALE: 1:2



iKey, Ltd.
 2621 Ridgpoint Dr. Suite 235
 Austin, Texas 78754

©2016 iKey, Ltd.
 Voice: (512) 837-0283
 Fax: (512) 927-8530

Part Number: IK-18-MKT

Drawing Title: IK-18

Drawing Number: MKT0388

Revision: 1.0

Sheet: 1 OF 1

Date: 07.08.16

ALH