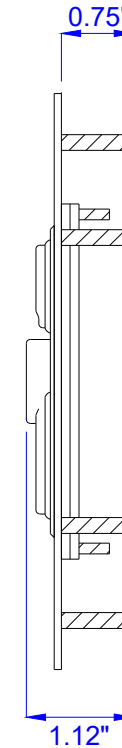
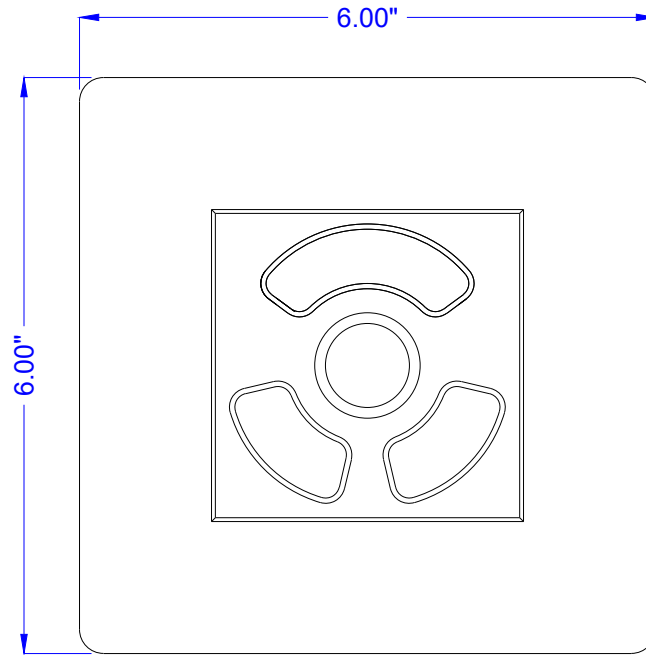


# HP-PM-FSR

DATE	CHANGES	INTL	REV
12.16.03	Original		1.00
01.02.09	Updated Format	JB	1.00
02.28.24	Updated Cutout Size	ADD	1.10



## KEY SWITCH

MATERIAL: Industrial Silicone Rubber  
 LIFE: Greater Than 10 Million Cycles  
 TRAVEL: 0.055 in.  
 ACTUATION FORCE: 7.05 oz. +/- 1.06oz (200g +/- 30g)  
 FEEDBACK: Tactile with Mechanical Snap

## TEMPERATURE RANGE

STORAGE: -40°F to +158°F (-40°C to +70°C)  
 OPERATING: -4°F to +140°F (-20°C to +60°C)

## VIBRATION

POWER SPECTRAL DENSITY: .04g/HZ  
 FREQUENCY RANGE: 20Hz-2Khz  
 DURATION OF TEST PER AXIS: 3 hours

## POWER

PS2 or AT/Serial:  
 POINTER: 35mA@5V (from Mouse port)  
 USB: 35mA@5V (from CPU port)

## HUMIDITY

100% Humidity Resistant

## SHOCK

3 X 11 ms pulses of 50g on each of 3 axis

## WEIGHT

1.25 lbs +/- 0.10 lbs (0.57 kg +/- 0.05 kg)

PROPRIETARY AND CONFIDENTIAL

SCALE: 1:2



iKey, Ltd.  
 2621 Ridgpoint Dr, Suite 235  
 Austin, Texas 78754

©2024 iKey, Ltd.  
 Voice: (512) 837-0283  
 Fax: (512) 927-8530

Part Number: HP-PM-FSR

Drawing Title: HP-PM-FSR-MKT

Drawing Number: MKT0017

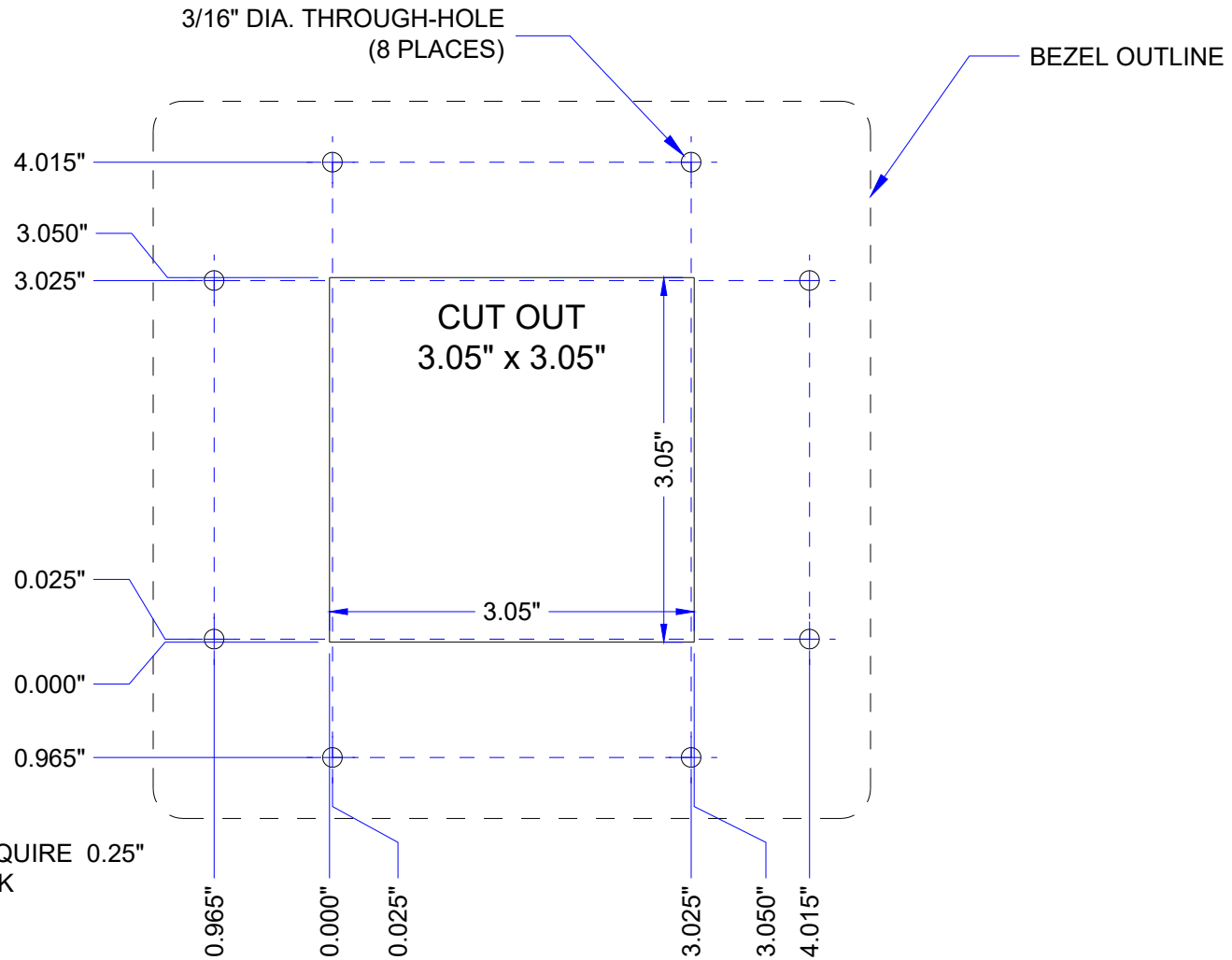
Revision: 1.10

Sheet: 1 OF 2

Date: 02.28.24

ADD

# HP-PM-FSR MOUNTING



NOTE:  
-PCB COMPONENTS REQUIRE 0.25"  
CLEARANCE FROM BACK

PM BEZEL: Stainless Steel with #8-32 x 0.75" Studs (8 Places)

PROPRIETARY AND CONFIDENTIAL

SCALE: 1:1.5



iKey, Ltd.  
2621 Ridgpoint Dr, Suite 235  
Austin, Texas 78754

©2024 iKey, Ltd.

Voice: (512) 837-0283  
Fax: (512) 927-8530

Part Number: HP-PM-FSR

Drawing Title: HP-PM-FSR-MKT

Drawing Number: MKT0017

Revision: 1.10

Sheet: 2 OF 2

Date: 02.28.24

ADD