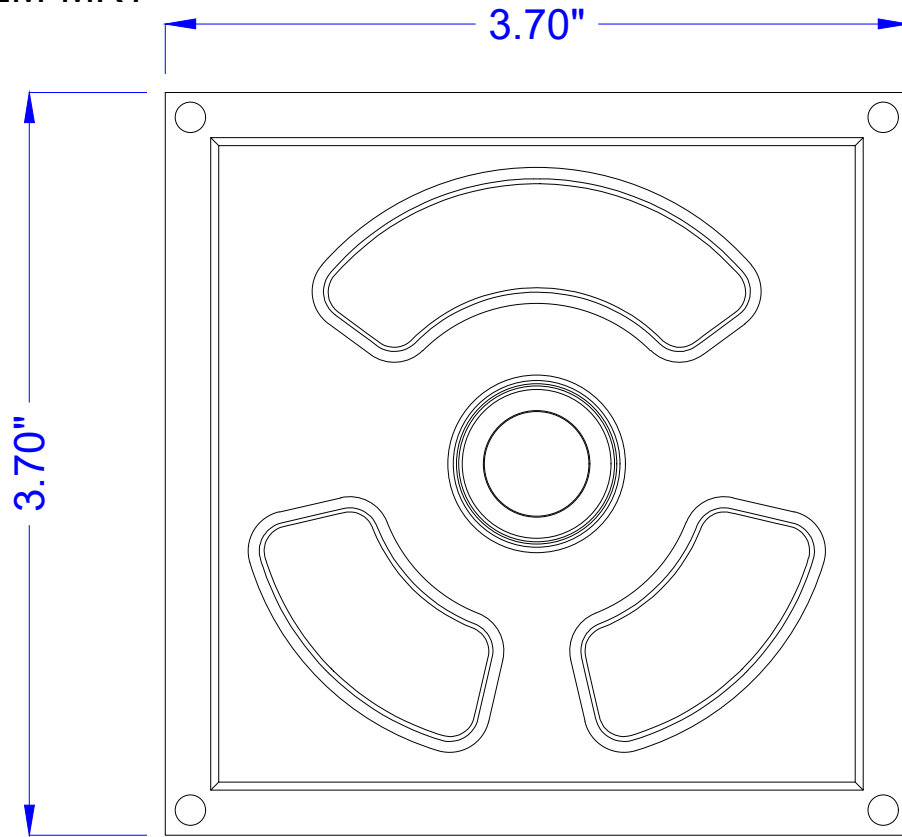
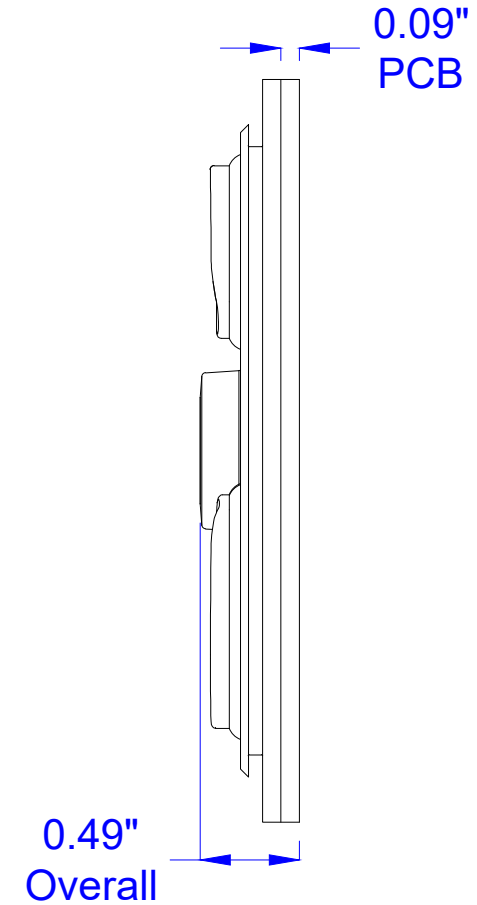


HP-FSR-OEM-MKT



DATE	CHANGES	INTL	REV
12.03.13	Original	TH	1.0
01.20.16	Updated Temperature Rating	AH	1.1
02.22.17	Removed incorrect mounting holes	AH	1.2
06.25.19	Added pinout diagram	CW	1.3



KEY SWITCH

MATERIAL: Industrial Silicone Rubber
 LIFE: Greater Than 10 Million Cycles
 TRAVEL: 0.055 in.
 ACTUATION FORCE: 7.05 oz. +/- 1.06oz (200g +/- 30g)
 FEEDBACK: Tactile with Mechanical Snap

TEMPERATURE RANGE

STORAGE: -40°F to +167°F (-40°C to +75°C)
 OPERATING: -40°F to +158°F (-40°C to +70°C)

VIBRATION

POWER SPECTRAL DENSITY: .04g/HZ
 FREQUENCY RANGE: 20Hz-2Khz
 DURATION OF TEST PER AXIS: 3 hours

POWER

5V@10ma (from mouse connection port)

HUMIDITY

100% Humidity Resistant

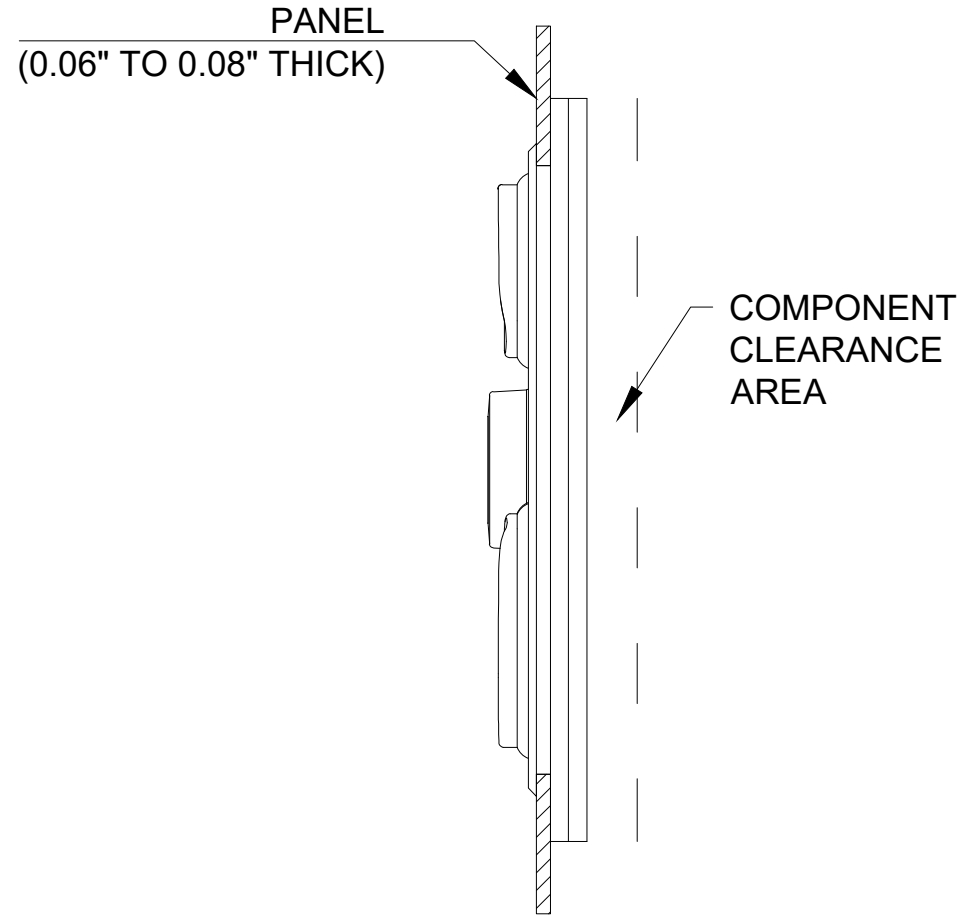
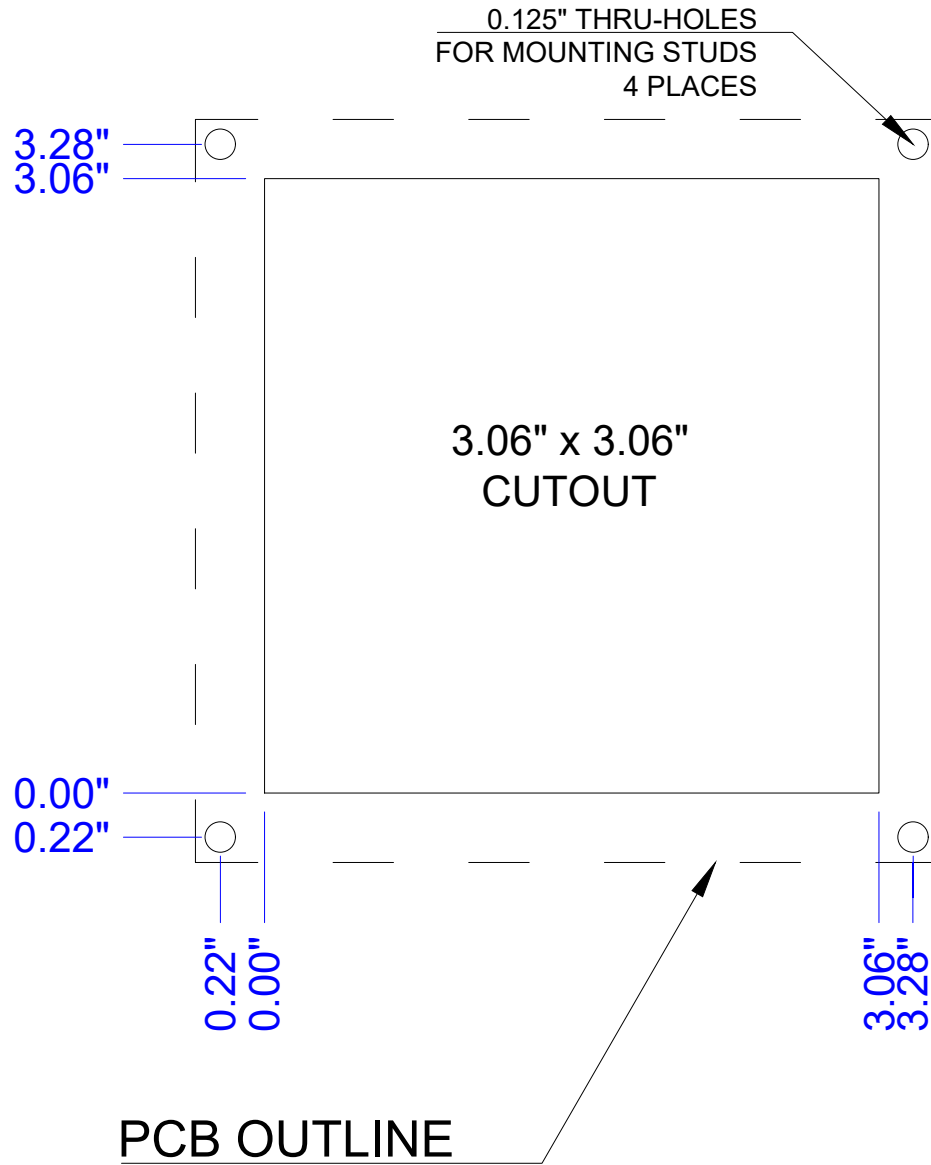
SHOCK

3 X 11 ms pulses of 50g on each of 3 axis

WEIGHT

1.25 lbs +/- 0.10 lbs (0.68 kg +/- 0.05 kg)

HP-FSR-OEM MOUNTING



USB Pinout

- 1: D+ —
- 2: D- —
- 3: Shield —
- 4: Gnd —
- 5: 5V —

PS/2 Pinout

- 3: Clk —
- 4: Drain —
- 5: Gnd —
- 8: Data —
- 10: VCC —