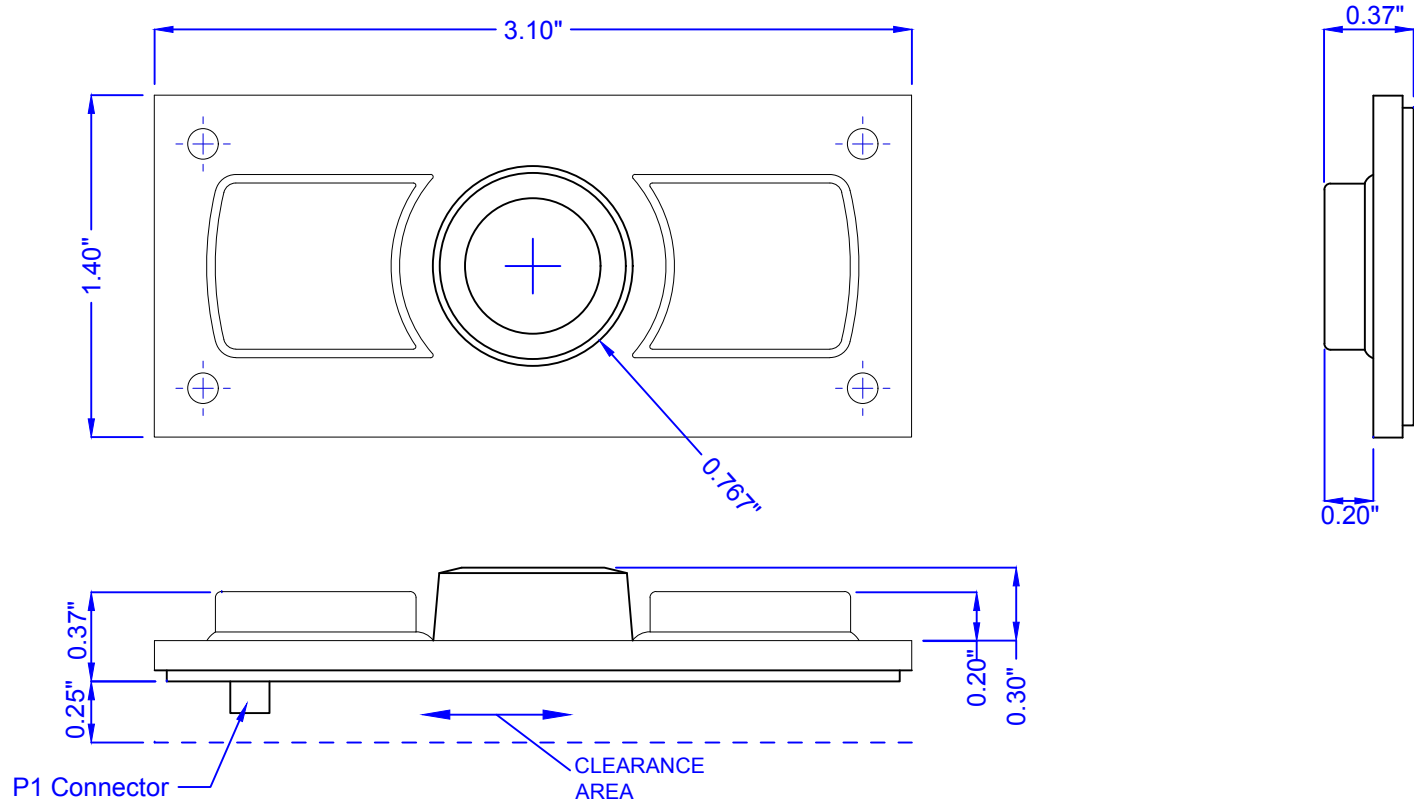


# HP-1330-FSR

| DATE     | CHANGES                                  | INTL | REV |
|----------|--|------|-----|
| 12.02.14 | Original                                 | SCC  | 1.0 |
| 06.16.16 | Updated Diameter and Height of FSR       | ALH  | 1.1 |
| 10.24.17 | Added mounting and connector information | ALH  | 1.2 |



## KEY SWITCH

MATERIAL: Industrial Silicone Rubber  
 LIFE: Greater Than 10 Million Cycles  
 TRAVEL: 0.055 in.  
 ACTUATION FORCE: 6.35 oz. +/- 1.06oz (180g +/- 30g)  
 FEEDBACK: Tactile with Mechanical Snap

## TEMPERATURE RANGE

STORAGE: -40°F to +194°F (-40°C to +90°C)  
 OPERATING: -40°F to +158°F (-40°C to +70°C)

## VIBRATION

POWER SPECTRAL DENSITY: .04g/HZ  
 FREQUENCY RANGE: 20Hz-2KHz  
 DURATION OF TEST PER AXIS: 3 hours

## POWER

PS2: 35mA@5V (from Mouse port)  
 USB: 35mA@5V (from CPU port)

## HUMIDITY

100% Humidity Resistant

## SHOCK

3 X 11 ms pulses of 50g on each of 3 axis

## WEIGHT

0.25 lbs +/- 0.10 lbs (0.11 kg +/- 0.05 kg)

PROPRIETARY AND CONFIDENTIAL

SCALE: 1:0.75



iKey, Ltd.  
 2621 Ridgpoint Dr. Suite 235  
 Austin, Texas 78754

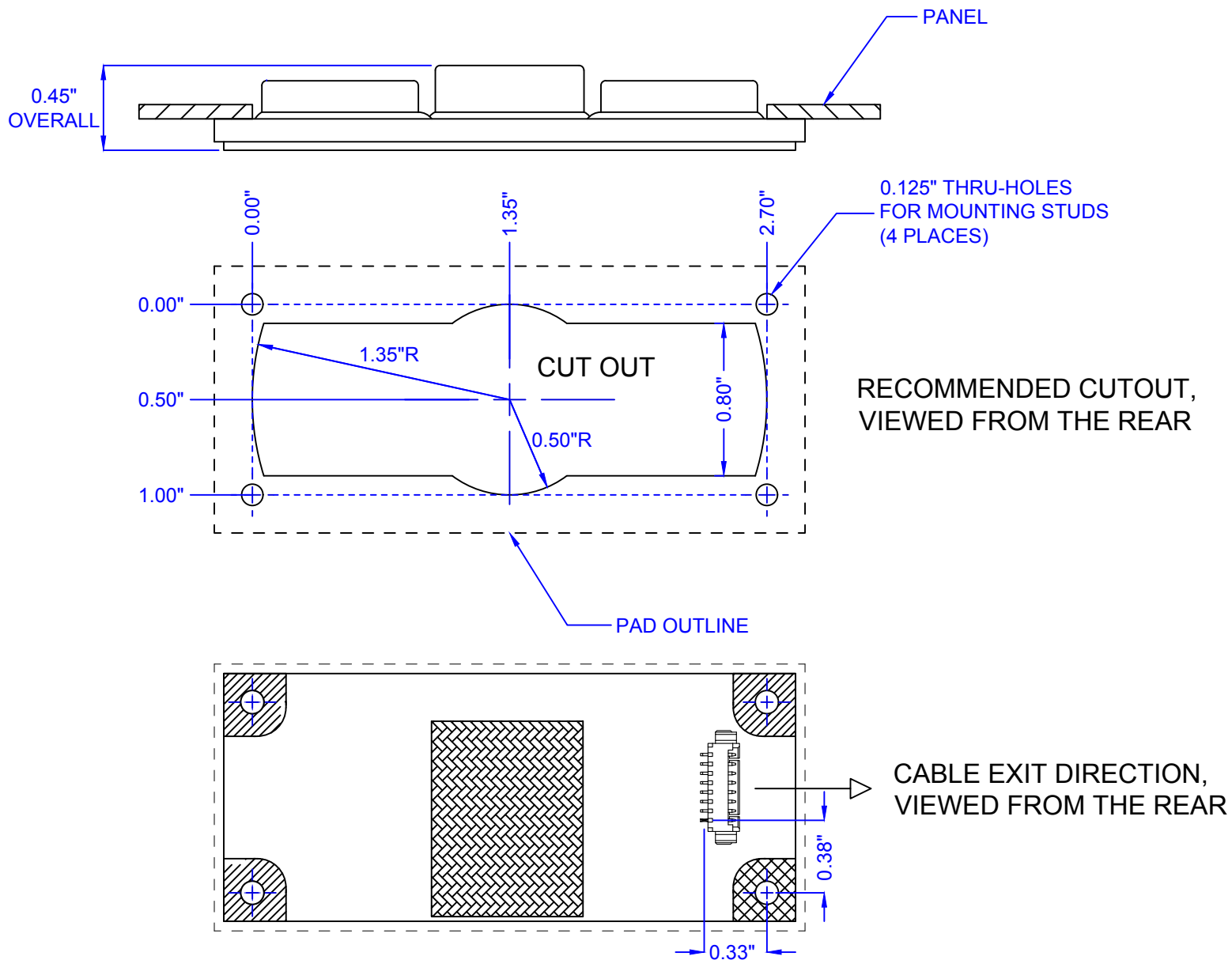
©2017 iKey, Ltd.  
 Voice: (512) 837-0283  
 Fax: (512) 927-8530

Part Number: HP-1330-FSR  
 Drawing Title: HP-1330-FSR-MKT

Drawing Number: MKT0142  
 Revision: 1.2

Sheet: 1 OF 2  
 Date: 10.24.17  
 ALH

# HP-1330-FSR MOUNTING



PROPRIETARY AND CONFIDENTIAL

SCALE: 1:0.75



iKey, Ltd.  
2621 Ridgpoint Dr, Suite 235  
Austin, Texas 78754

©2017 iKey, Ltd.  
Voice: (512) 837-0283  
Fax: (512) 927-8530

Part Number: HP-1330-FSR  
Drawing Title: HP-1330-FSR-MKT

Drawing Number: MKT0142  
Revision: 1.2

Sheet: 2 OF 2  
Date: 10.24.17

ALH