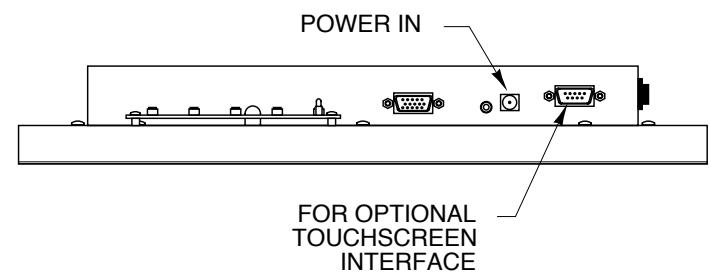
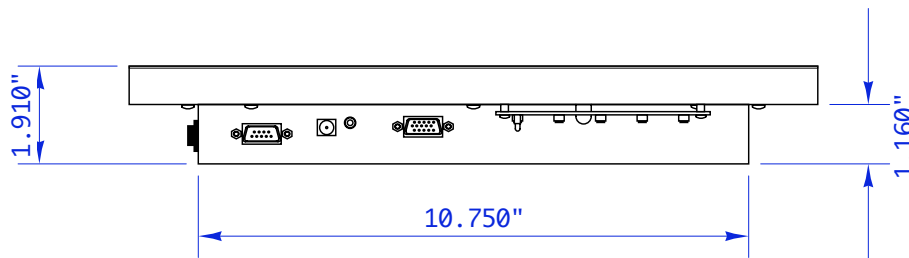
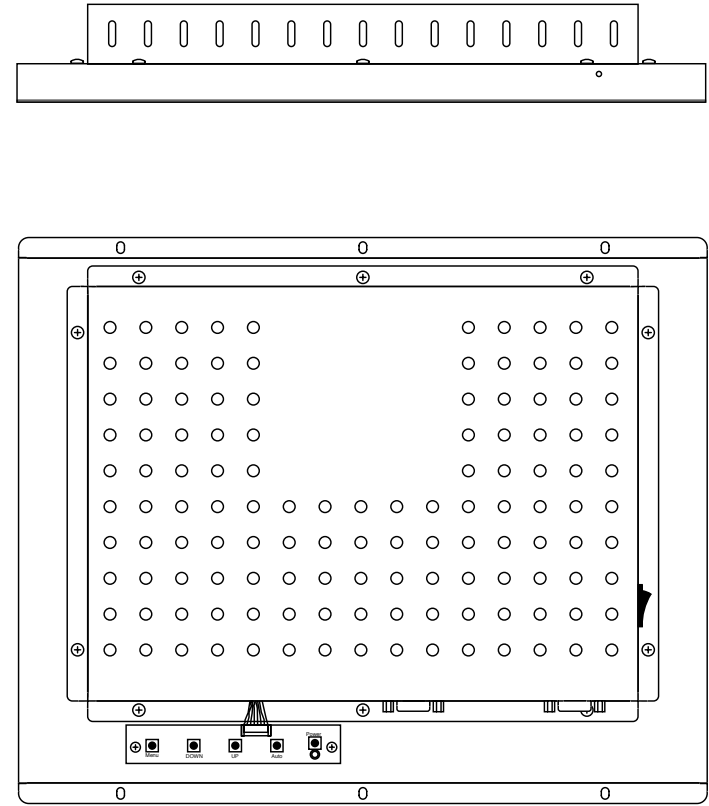
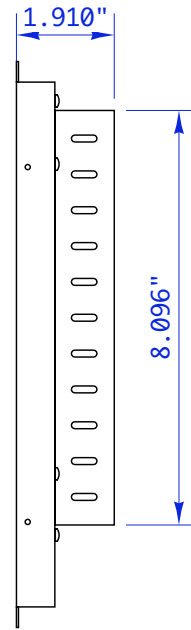
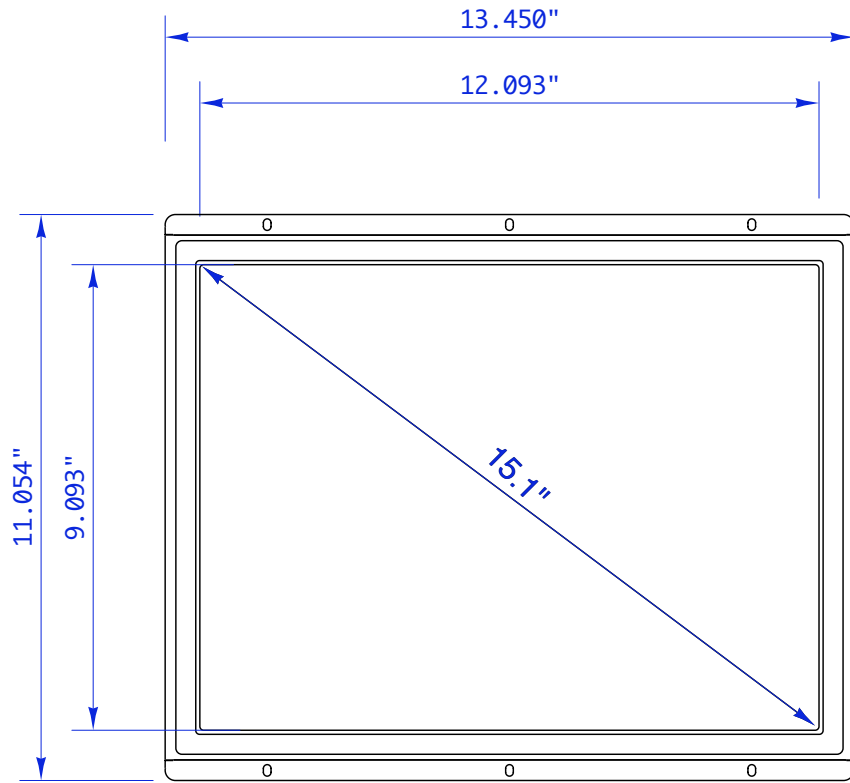


FP-15-OEM



SCALE 1:3.75"

MOUNTING HOLES

