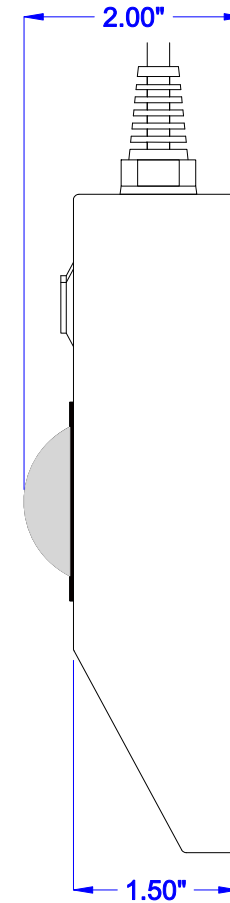
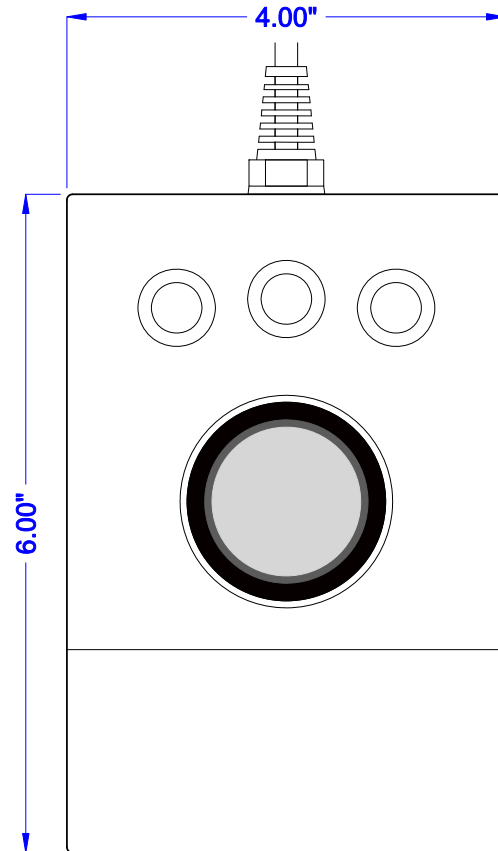


# DT-TB

DATE	CHANGES	INTL	REV
08.26.04	Original		1.00
09.10.08	Updated Format	JB	1.00



## KEY SWITCH

**MATERIAL:** Brushed Stainless Steel  
**LIFE:** Greater Than 1 Million Cycles  
**TRAVEL:** 0.051 in.  
**ACTUATION FORCE:** 14.00 oz. +/- 1.06oz (397g +/- 30g)  
**FEEDBACK:** Tactile with Mechanical Snap

## TEMPERATURE RANGE

**STORAGE:** -40°F to +185°F (-40°C to +85°C)  
**OPERATING:** 32°F to +131°F (0°C to +55°C)

## VIBRATION

**POWER SPECTRAL DENSITY:** .04g/HZ  
**FREQUENCY RANGE:** 20Hz-2Khz  
**DURATION OF TEST PER AXIS:** 3 hours

## POWER

**PS2:** 45mA@5V (from Mouse port)  
**USB:** 45mA@5V (from CPU port)

## HUMIDITY

100% Humidity Resistant

## SHOCK

3 X 11 ms pulses of 50g on each of 3 axis

## WEIGHT

1.50 lbs +/- 0.10 lbs (0.68 kg +/- 0.05 kg)

PROPRIETARY AND CONFIDENTIAL

SCALE: 1:1.75